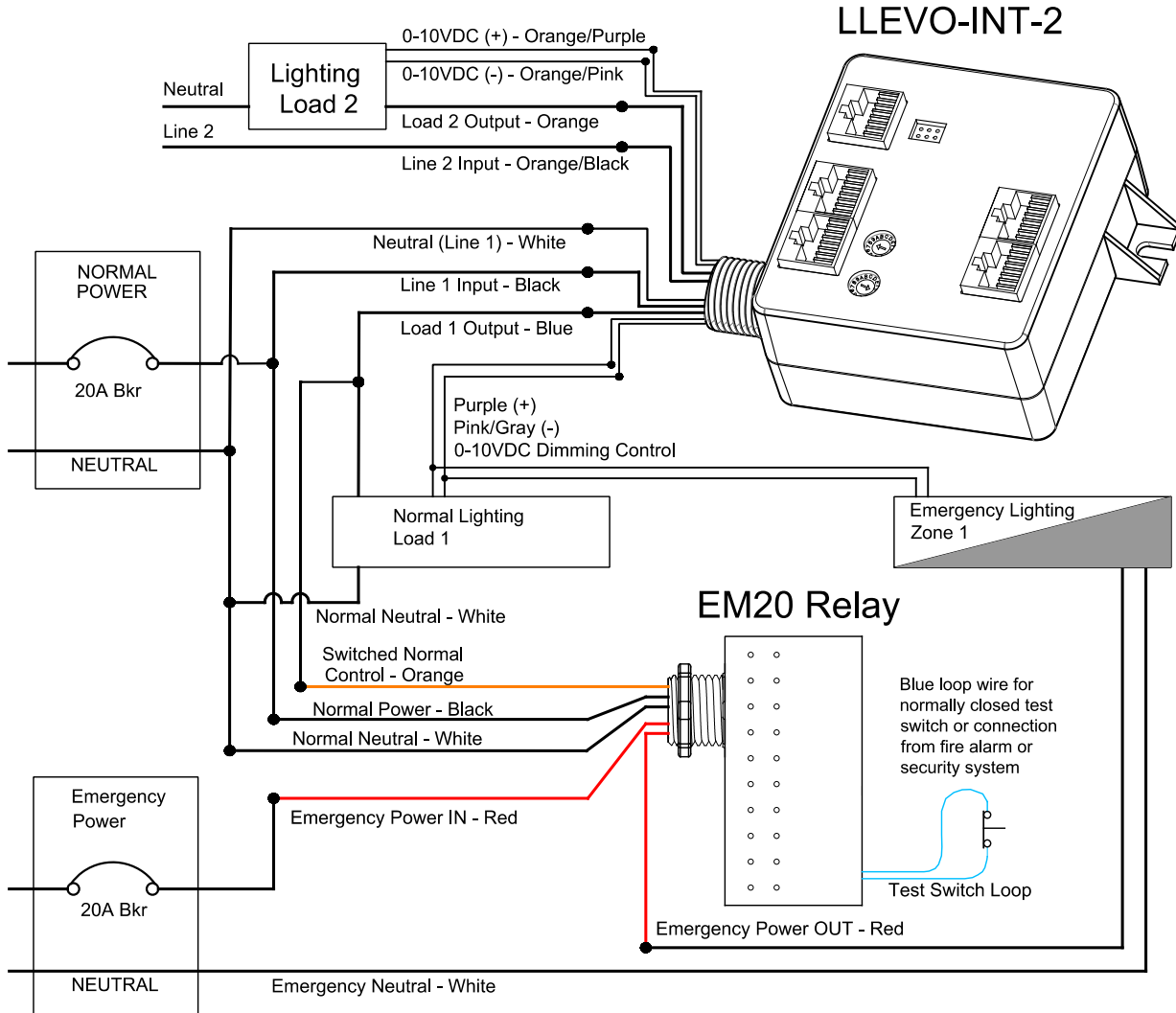


# EM20 Bypass Relay and LLEVO-INT-2 Controller Wiring Details



## EM20 and LLEVO-INT-2 Operation

- The EM20 relay is a UL 924 Shunt-trip bypass device that will automatically turns On the EM load when normal power is lost.
- When connecting to a LLEVO-INT-2 controller the EM20 must be wired to the same circuit as the load-1 output that powers the LLEVO-INT-2 so that the 0-10VDC control will automatically go to 100% with loss of power to the EVO, to meet NFPA requirements.

## EM20 and LLEVO-INT-2 Wiring

- Unswitched Normal power is connected to the LLEVO-INT-2 controller line-1 input (Black) and the EM20 normal power input (Black)
- Normal power neutral is connected to the LLEVO-INT-2 neutral input (White) and to the EM20 neutral (White)
- LLEVO-INT-2 load-1 switched normal power is tracked by the EM20 relay by connecting the load-1 output (Blue) to the tracking control input wire (Orange)
- Emergency power is connected to the one EM power (RED) lead for power in and the other (Red) lead is connected to the EM fixture
- Emergency power neutral is connected to the EM light only
- The fire alarm/test loop wire (Blue) can be cut and connected to a optional test button or fire alarm system normally closed contact, when opened the EM20 relay will be forced into its EM bypass-on state