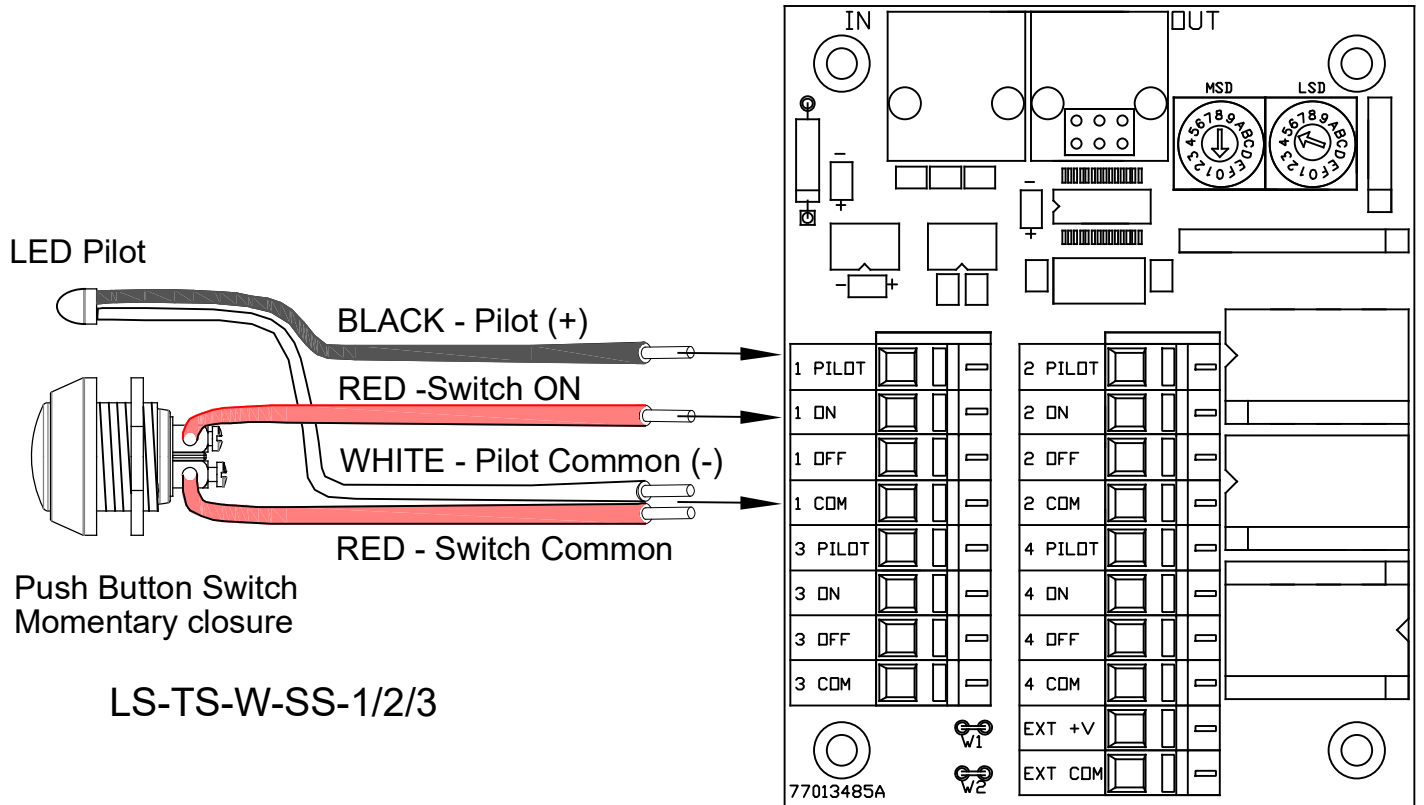


LightSync Touch Switch Input Module Wiring Details



LightSync Input Module

(LS-IM) mounted in LightLEEDer panel or remotely

The LightSync Touch Switch wired assembly will come with 1, 2 or 3 push buttons in a decora faceplate.

Terminate one Red wire from the switch and the White LED wire in the Common terminal of the LightSync Input Module for each switch. Terminate the Black LED Pilot wire (+) at the the Pilot terminal. Terminate the 2nd RED wire from the switch to the On input terminal. Additional switches are terminated at inputs 2 or 3.