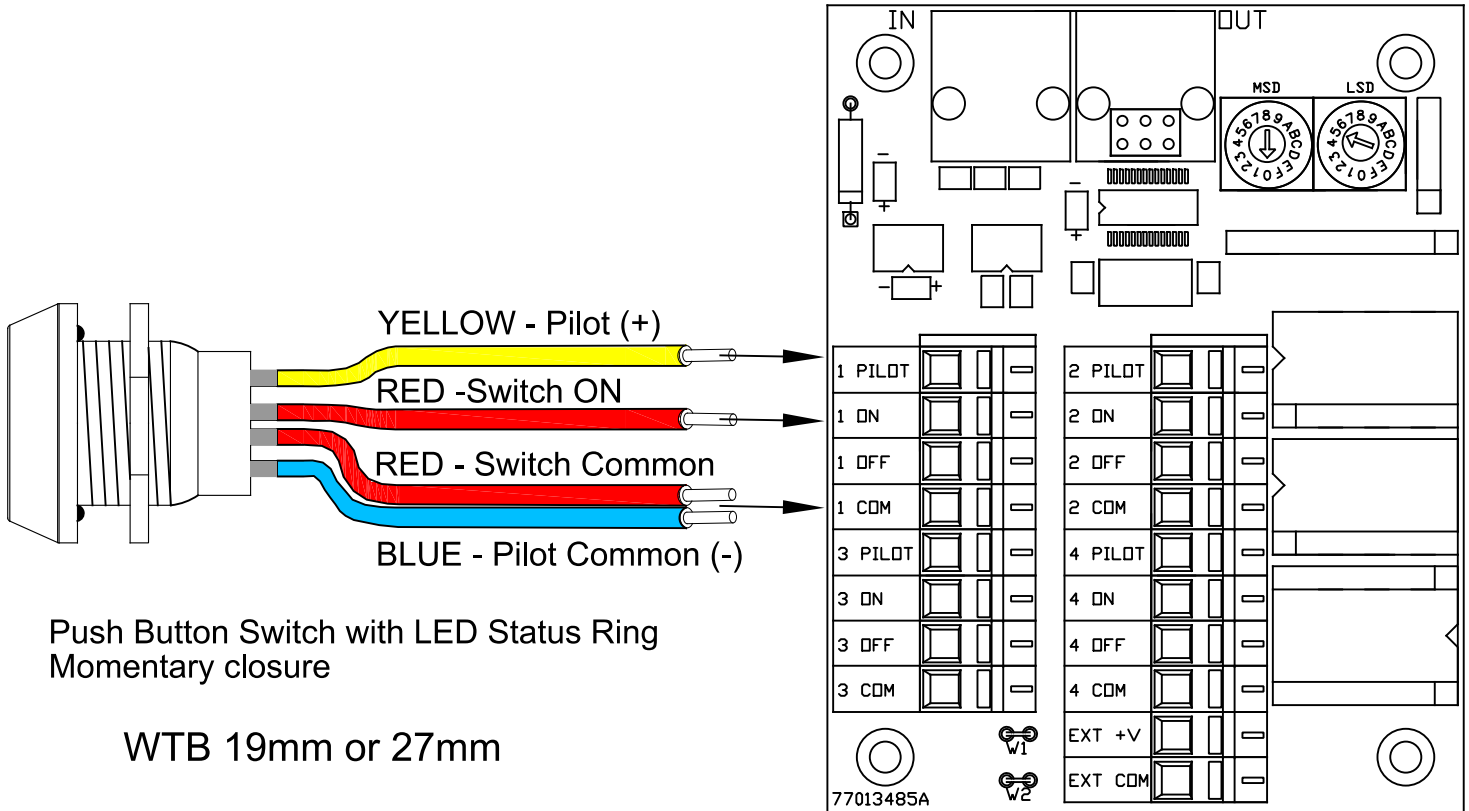


Wet Location Touch Button Input Module Wiring Details



Push Button Switch with LED Status Ring
Momentary closure

WTB 19mm or 27mm

LightSync Input Module (LSIM)

The Wet Location Touch Button hardwire switch assembly will come with 1, 2 or 3 push buttons in a single gang stainless steel faceplate with Neoprene gasket and weatherproof wirenuts provided for extending the wire from wet location installation to the LSIM installed in a dry location .

Terminate one Red wire from the switch and the Blue LED wire in the Common terminal of the LightSync Input Module for each switch. Terminate the Yellow LED Pilot wire (+) at the the Pilot terminal. Terminate the 2nd RED wire from the switch to the On input terminal. Additional switches are terminated at inputs 2 or 3.