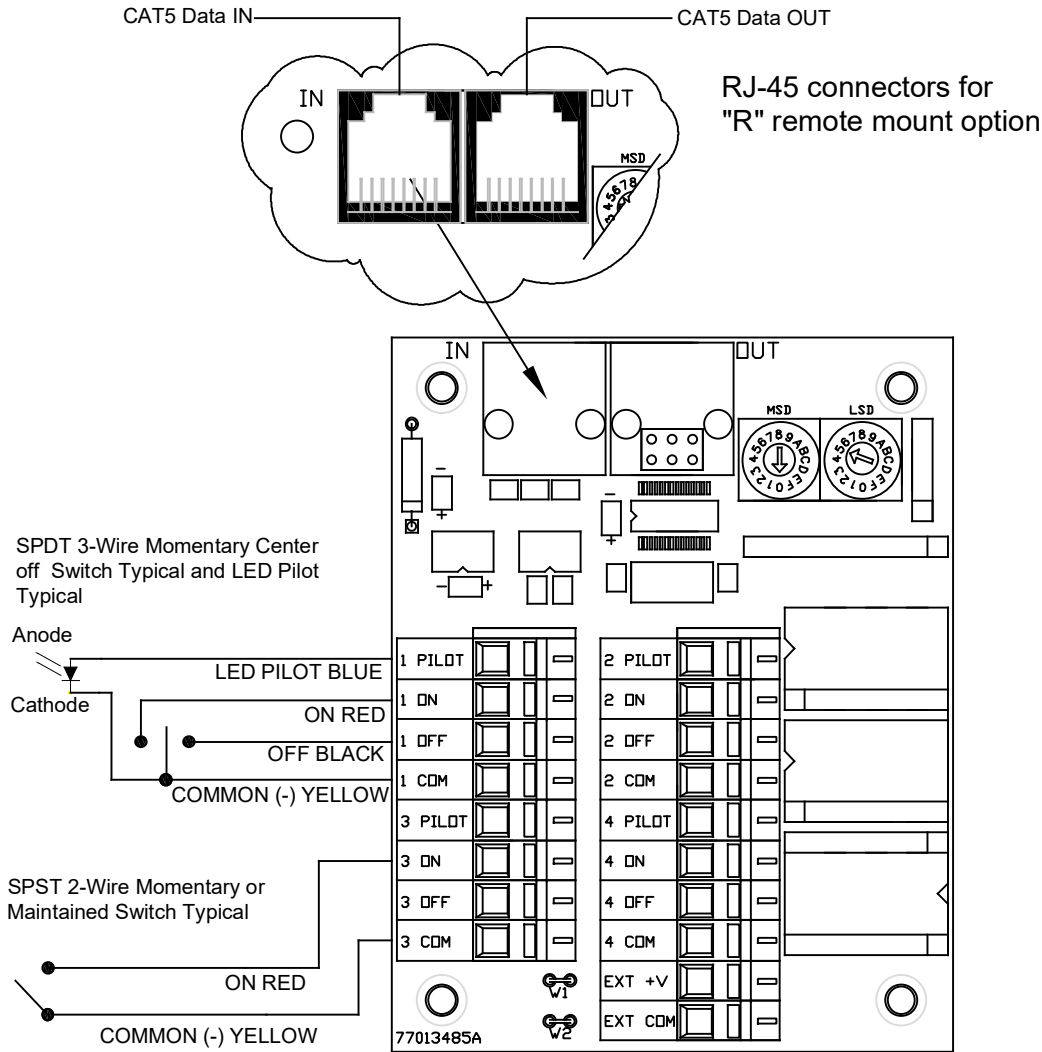
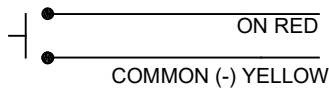


LightSync Input Module Wiring Details



SPST 2-Wire Push-button Switch Typical



Maximum wire length to switch:

- 3000 ft. using 16 AWG wire
- 2000 ft. using 20 AWG wire
- 300 ft. using 28 AWG wire

LightSync Input Modules are designed for interfacing remote hardwired switches and LED pilot status indicators.

Input Connections: Connect the wires from the switch and terminate using the wiring configuration shown above, follow the wire distance limitations. Pilot outputs connect as shown without the need for a limiting resistor.

Data Connections: For the remote module option, connect the LightSync data line to the IN port, then connect the OUT port to the next device.