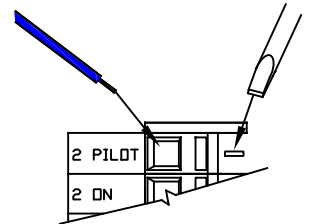
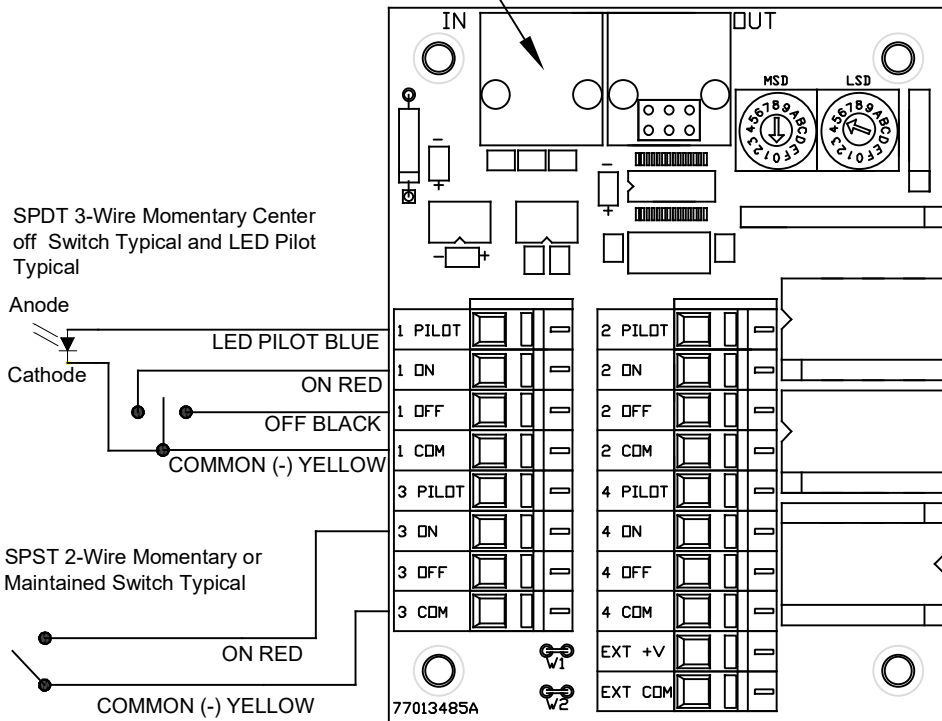
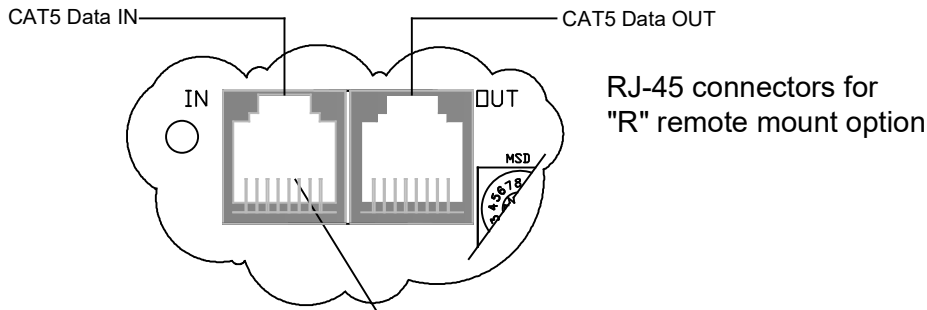


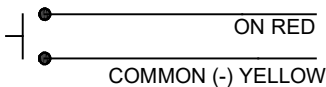
LightSync Input Module Wiring Details



To connect wire to the input, insert a small straight blade screwdriver in slot and apply pressure to open the spring clamp, insert wire then release.

Connector accepts 28 to 14 AWG wire.

SPST 2-Wire Push-button Switch Typical



Maximum wire length to switch:
3000 ft. using 16 AWG wire
2000 ft. using 20 AWG wire
300 ft. using 28 AWG wire

LightSync Input Modules are designed for interfacing remote hardwired switches and LED pilot status indicators.

Input Connections: Connect the wires from the switch and terminate using the wiring configuration shown above, follow the wire distance limitations. Pilot outputs connect as shown without the need for a limiting resistor.

Data Connections: For the remote module option, connect the LightSync data line to the IN port, then connect the OUT port to the next device.