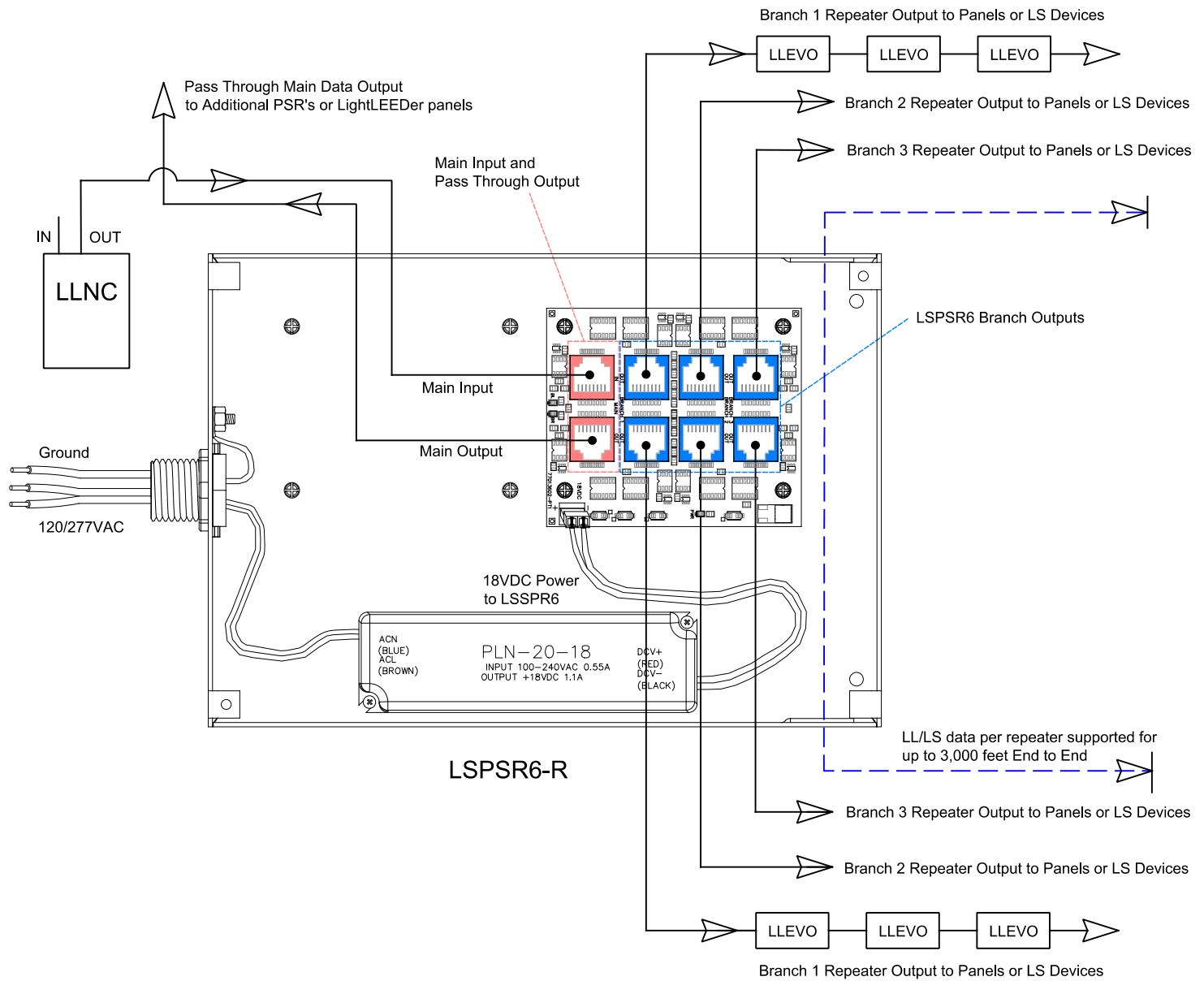


LightSync Power Supply Repeater 6 Wiring Details



- Main In and Out ports for network connection from a LLNC or other panels with a pass-through data (non-repeated) output for continuing the network to additional LSPSR modules or panels.
- 120/277VAC leads from power supply with 18VDC output to LSPSR6.
- Independent repeaters for each of the 3 branch outputs.
- Each branch provide two RJ-45 ports per branch for running to LightLEEDer panels or LightSync devices in the network.
- LL/LS data supported for up to 3,000 feet end to end per branch repeater.
- Power is provided for up to 20 LS devices across all 3 branches combined, refer to TB1408 for cumulative distance power calculations.