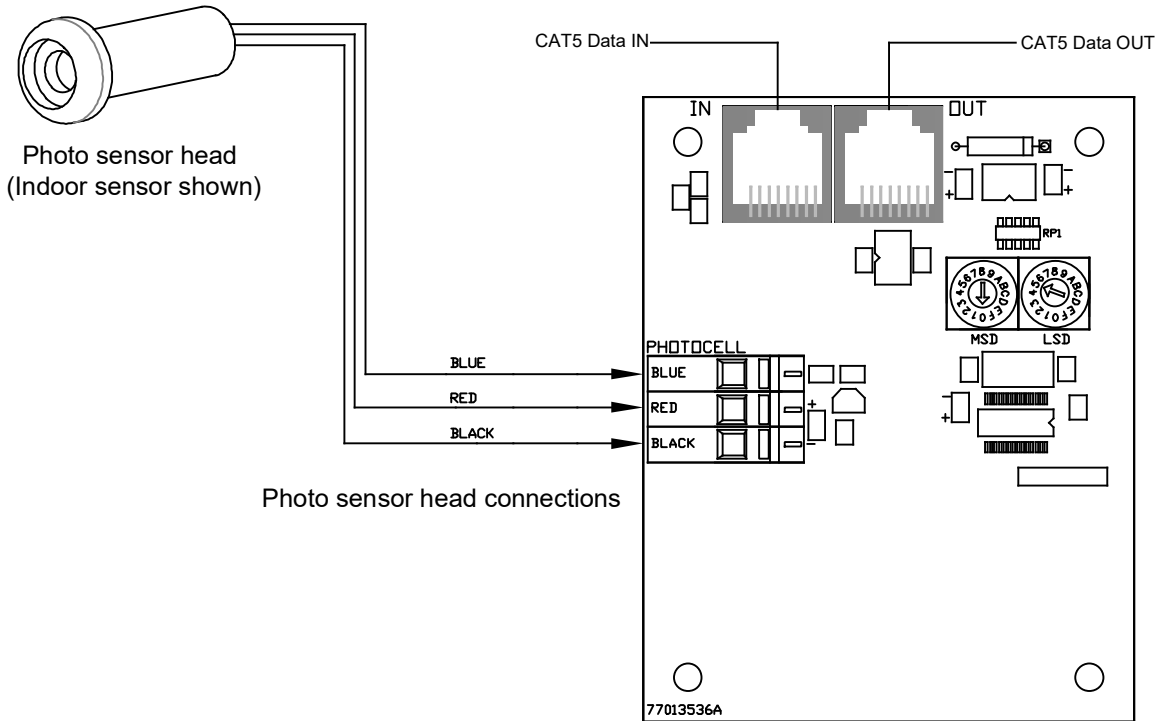


# LightSync Photo Sensor Controller Wiring Details



## Wiring Connection:

1. Route the 3 wires from the photo sensor head and terminate on the connector provided as shown above. The head can be mounted up to 5000 ft. from controller with 18 AWG wire.
2. For remote mount controllers, route the CAT-5 data lines to the appropriate connectors provided. Be sure to test all cables prior to connecting.

Note: Panel mount controller communicates through the 6 pin header.