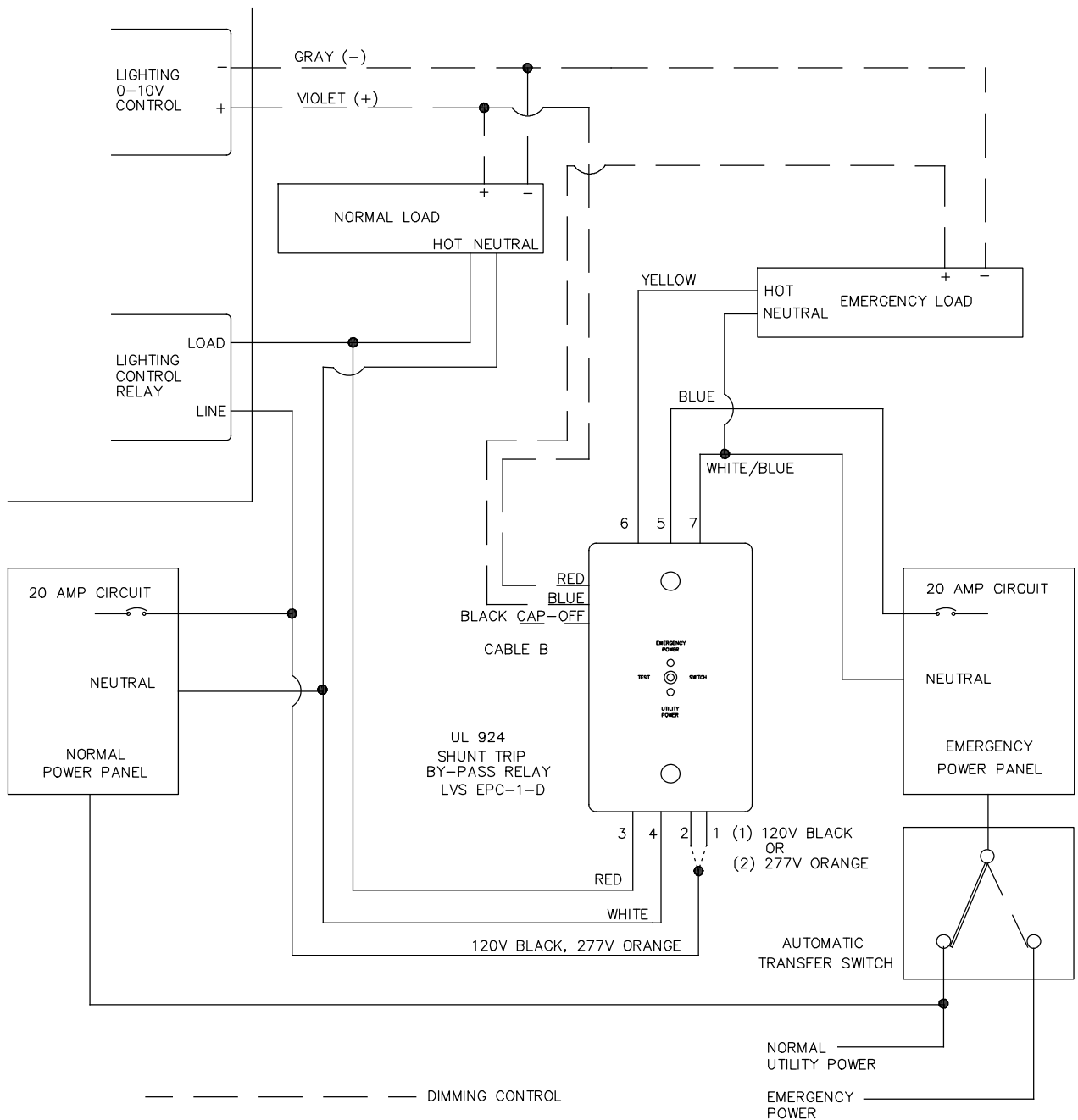


LVS EPC-1-D Emergency By-Pass Wiring Details



This is a typical wiring diagram for a lighting control panel that is controlling normal loads and emergency loads with 0-10V dimming simultaneously. This is accomplished by signaling the Emergency Power Control unit (EPC-1-D) from the lighting controller. With the use of an EPC-1-D during normal conditions, the relay panel controls the normal loads and signals the EPC-1-D to control the emergency loads. During a power outage, the EPC-1-D by-passes the normal load and illuminates the emergency lighting loads only to full brightness. Wire the EPC-1-D as shown above for normal and emergency power. Connect the black wire (1) if using 120VAC or the orange wire (2) if using 277VAC, cap the unused wire. Cable "B" provides connections for 0-10V control.