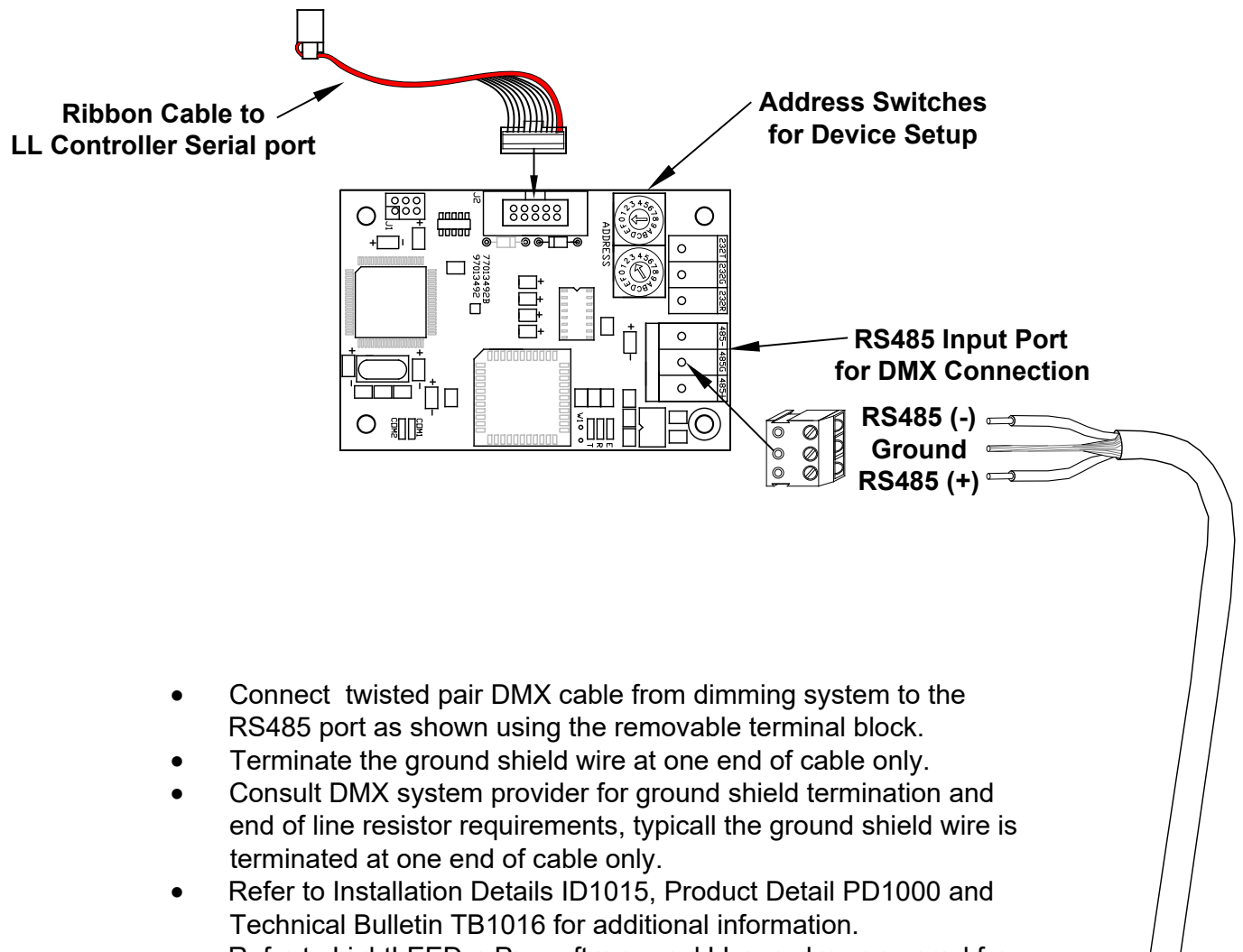


LightLEEDer DMX Wiring Details

The LightLEEDer DMX Input Module is a add-on module that mounts in a LightLEEDer panel and is a DMX-512 receiver that provides control for relays and 0-10V dimmer outputs.



- Connect twisted pair DMX cable from dimming system to the RS485 port as shown using the removable terminal block.
- Terminate the ground shield wire at one end of cable only.
- Consult DMX system provider for ground shield termination and end of line resistor requirements, typically the ground shield wire is terminated at one end of cable only.
- Refer to Installation Details ID1015, Product Detail PD1000 and Technical Bulletin TB1016 for additional information.
- Refer to LightLEEDer Pro software and LL panel user manual for mapping DMX channels to relays or 0-10VDC dimmer outputs.