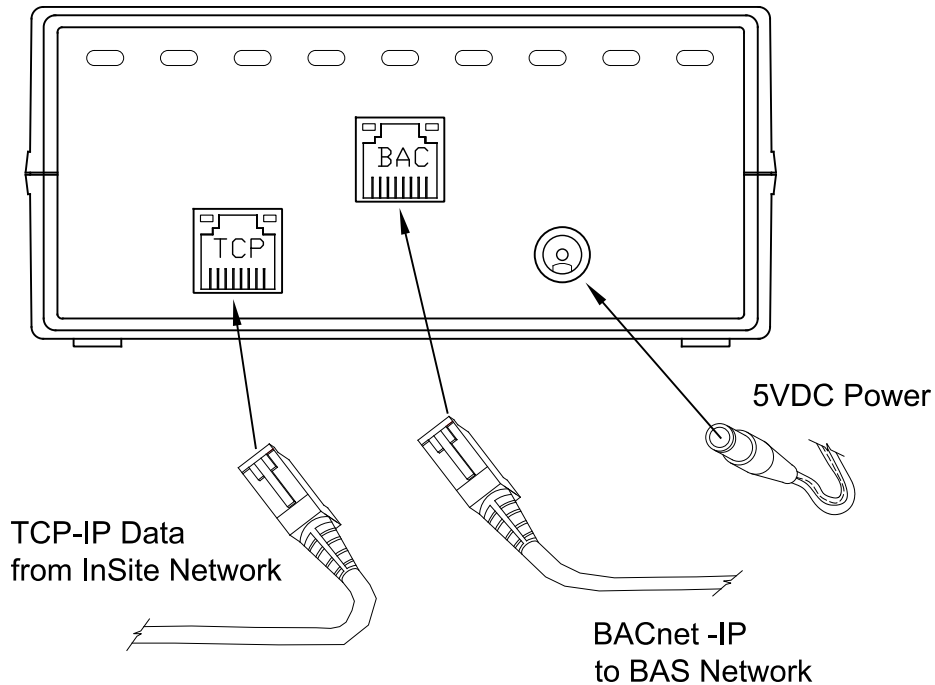


LightLEEDer InSite BACnet-IP Interface Wiring Details



Installation:

- Install the LightLEEDer InSite BACnet-IP interface in a location that allows both a TCP-IP connection from the ILC InSite computer and a BACnet-IP connection to the BAS system along with a 120V outlet for the power supply.
- Power the LLInSite-BACIP device with the 120VAC to 5VDC power supply provided.
- Connect a CAT-5 ethernet cable from the InSite software computer network to the TCP-IP port on the interface.
- Connect a CAT-5 ethernet cable from the BAS system network to the BACnet-IP port on the interface.
- Refer to TB1420 for port configuration instructions and InSite programming set-up.