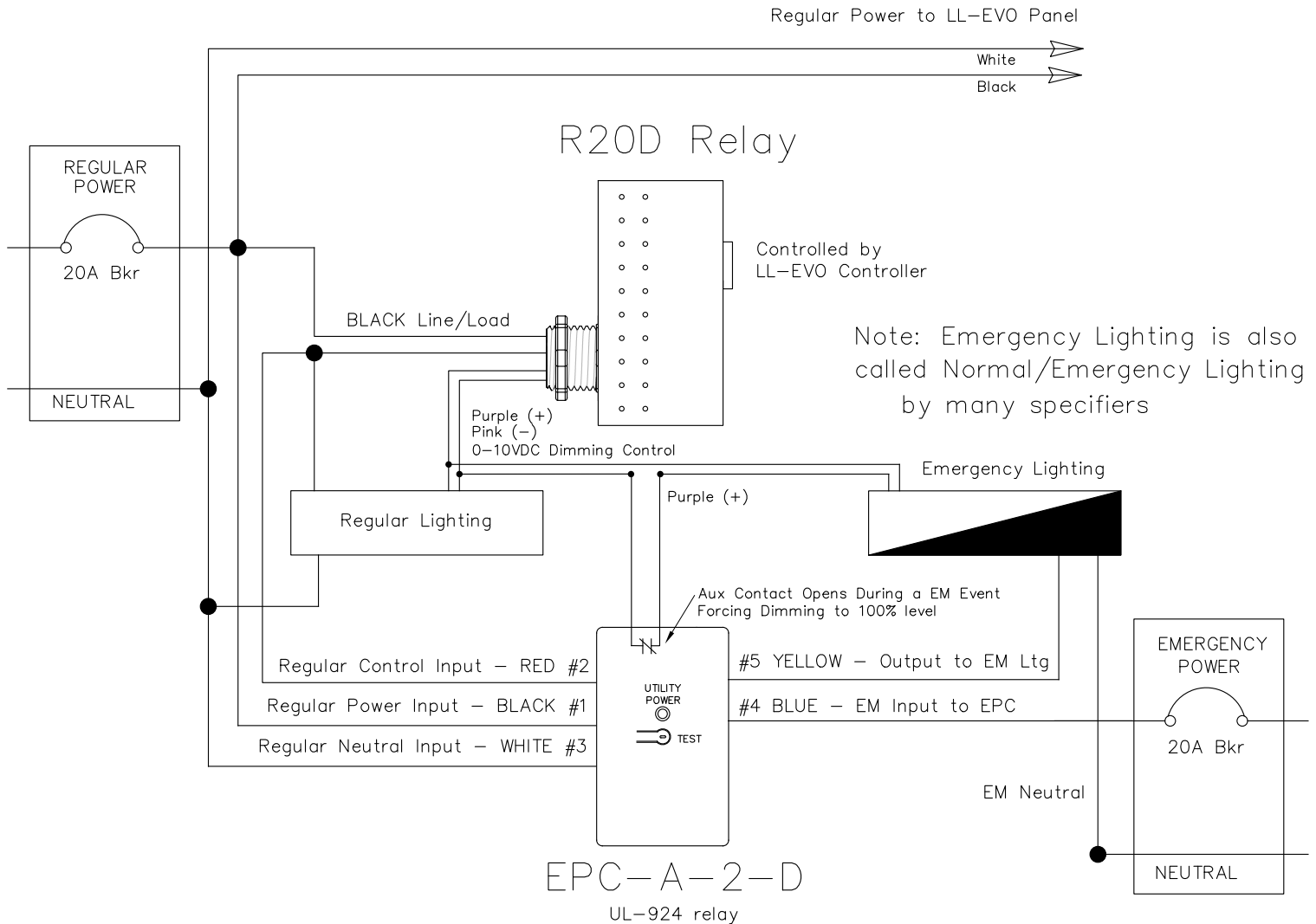


R20D Remote Relay and EPC-A-2-D Wiring Details



- EPC-2 Emergency Power and Control UL 924 bypass device will track regular un-switched power (Black #1)
- Loss of regular power will force emergency lights ON (Yellow Output #5)
- Regular control (Red #2) is tracked for normal On/Off operation of the normal light and will switch the emergency lighting accordingly

Note: Normal power to R20D relay, LL-EVO controller, and EPC-2 must be on the same circuit for the 0-10V dimming bypass operation to function properly.

Consult LVS details and wiring diagrams for additional information.