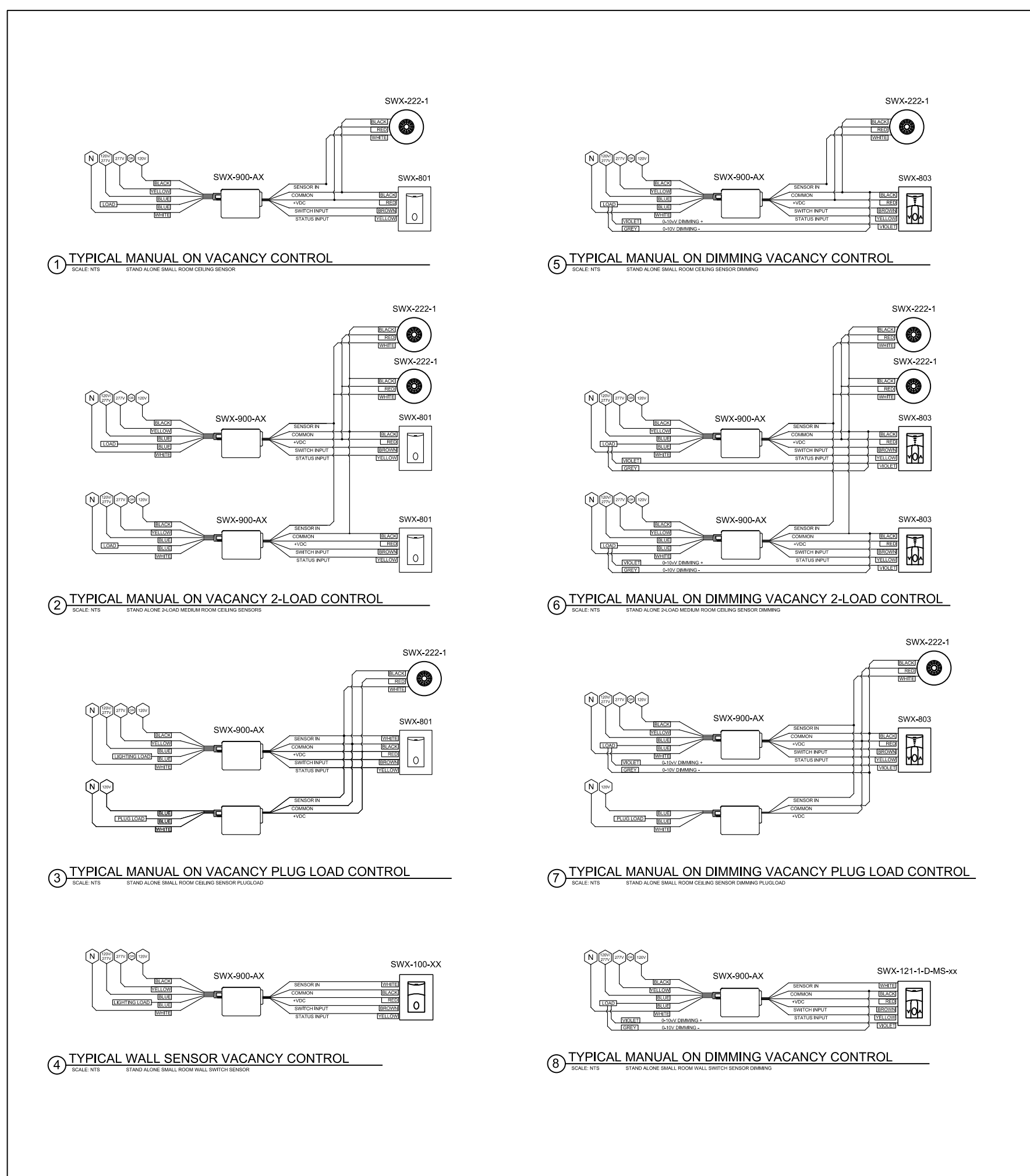
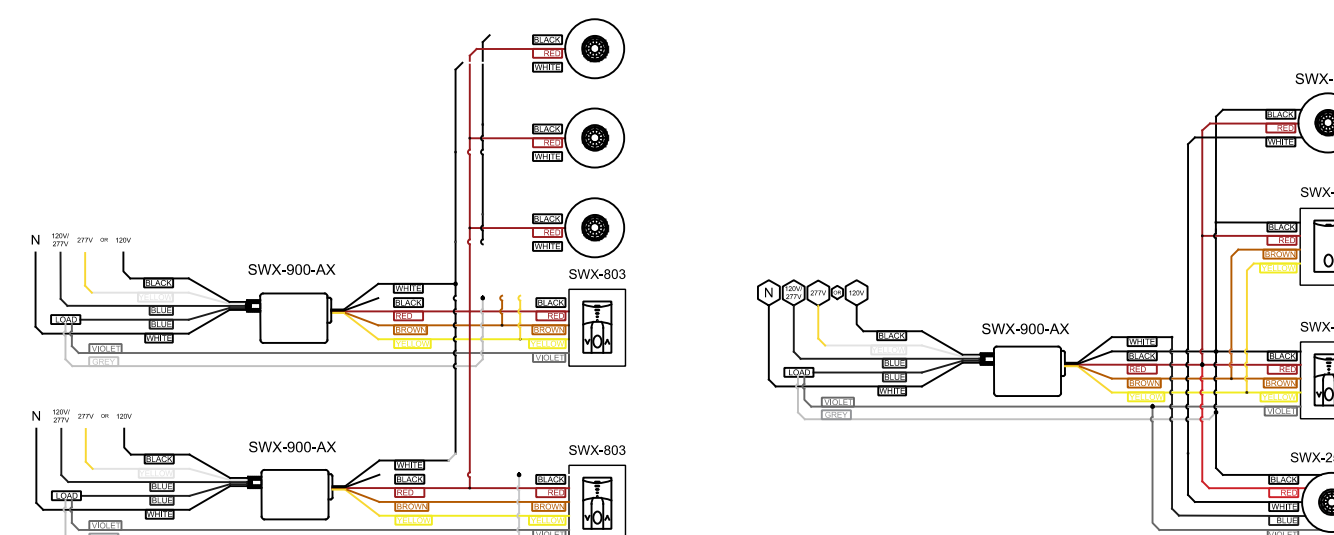


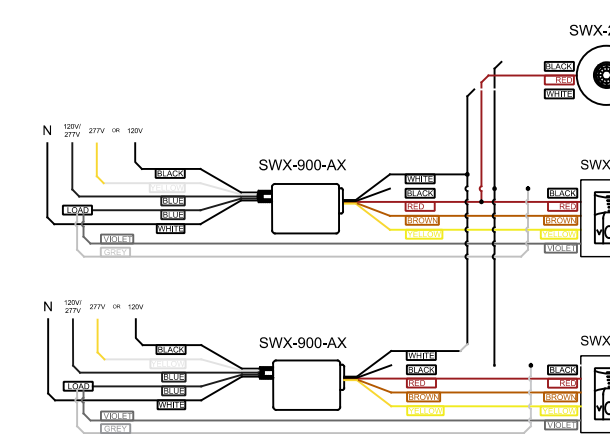
ILC EDITED VERSION FOR CAD



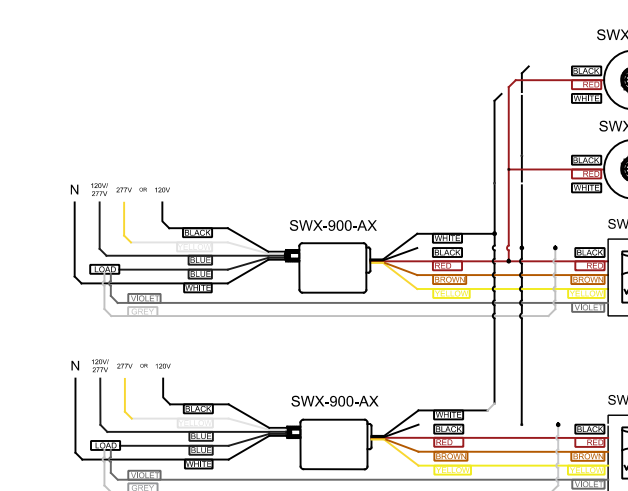
LOBBY/ RECEPTION



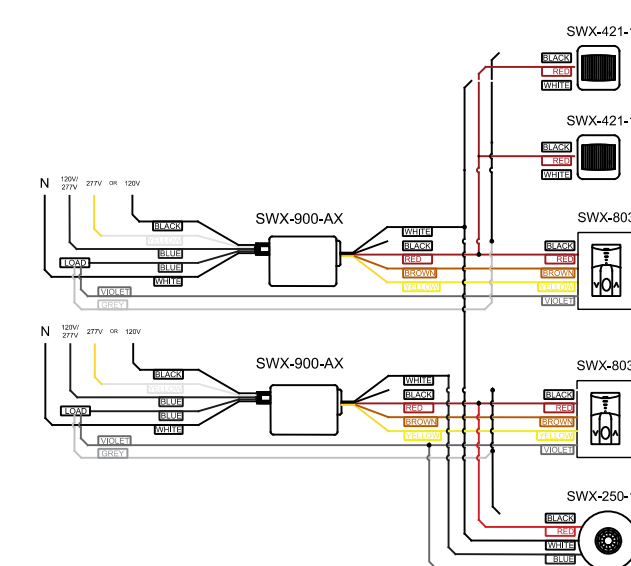
Classroom with two zones and one vac sensor to control both zones



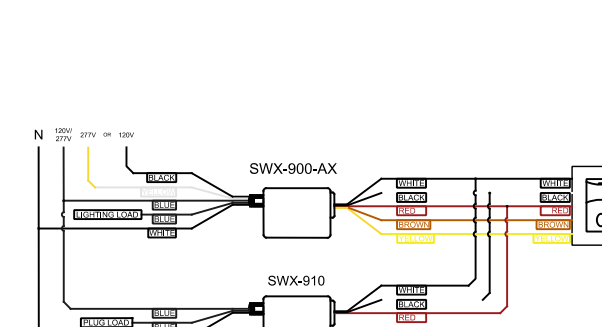
Classroom with two zones and two vac sensors (occ sensors to control both zones together)



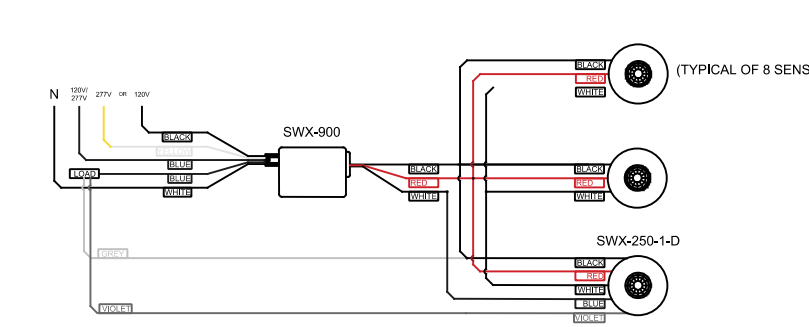
TYPICAL CLASSROOM



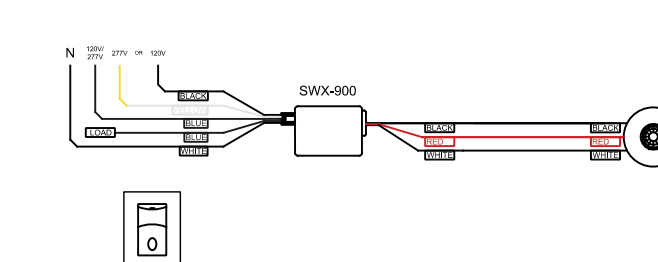
TYPICAL SMALL OFFICE



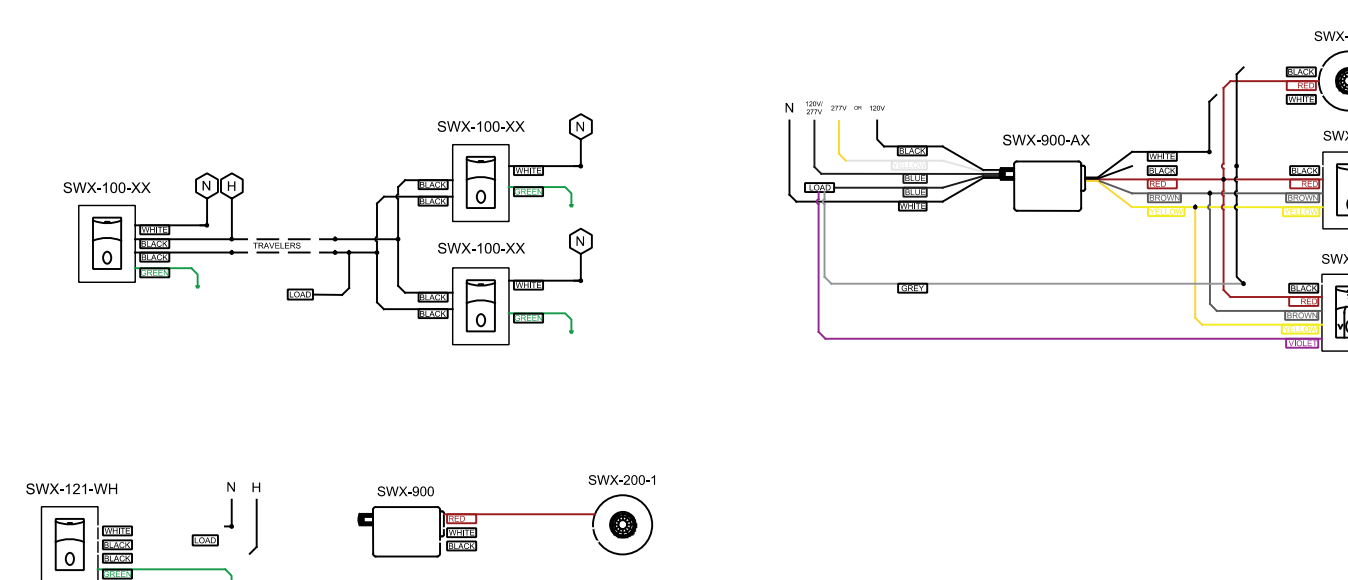
TYPICAL LARGE OFFICE



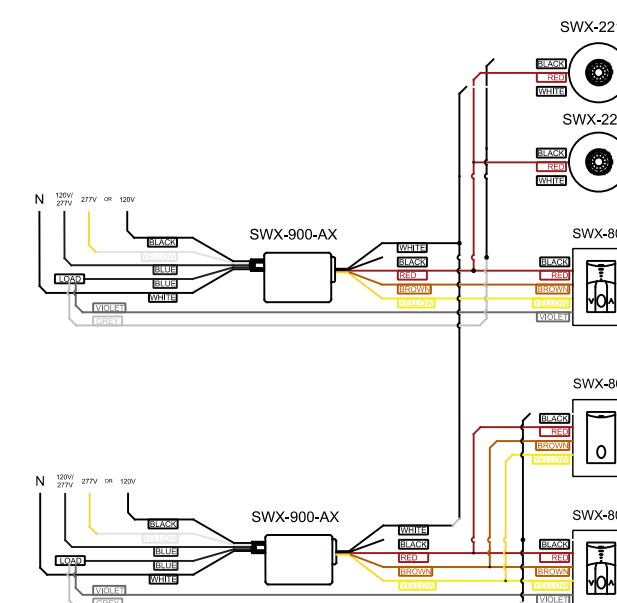
LARGE RESTROOM



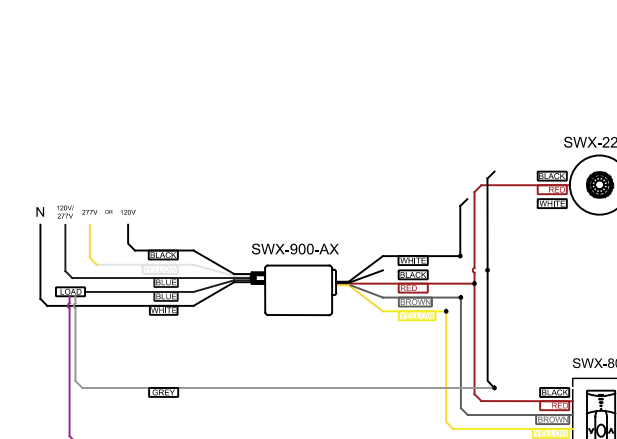
TYPICAL 4-Way Configuration



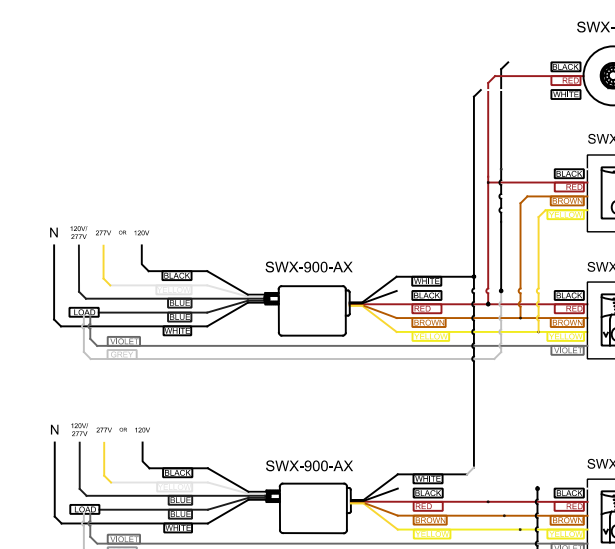
Two vac sensors and two zones but with one three way switch application - can both vac sensors control both zones?



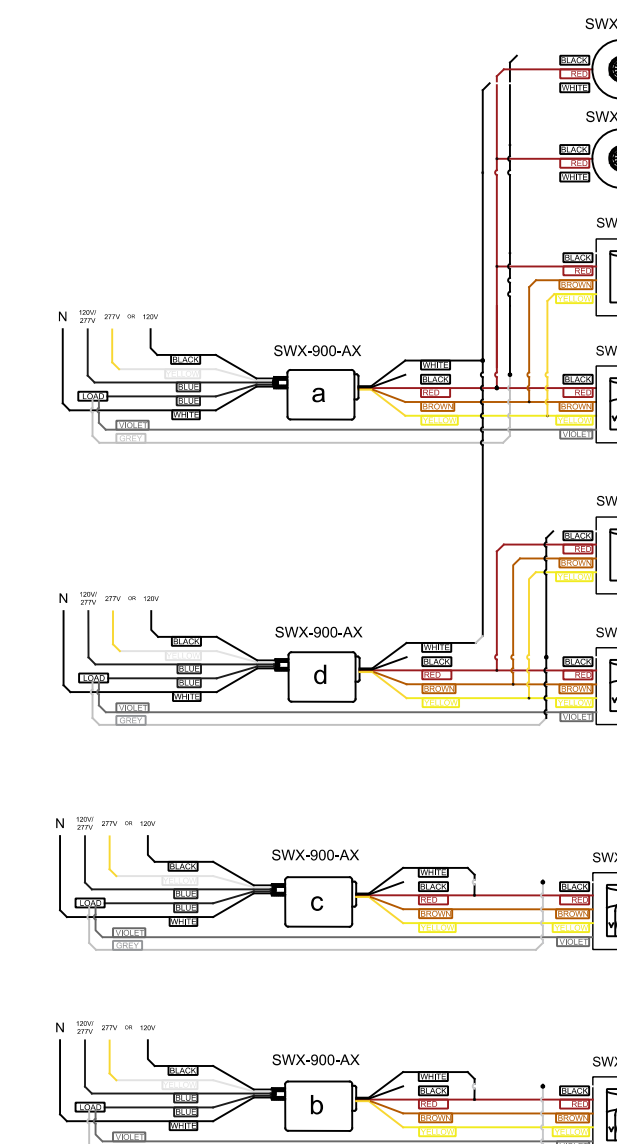
One vac/ one switch (this should be straight forward off the switch cut sheet)



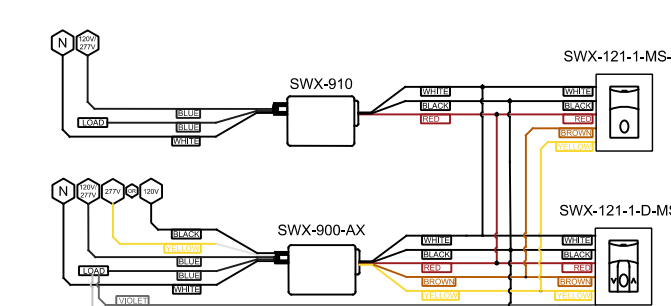
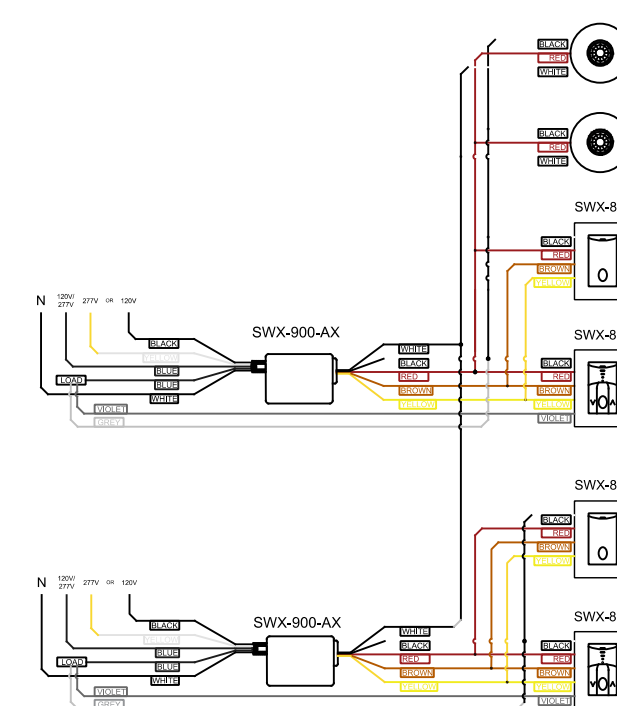
One Vac - two zones and one with a three way switch



One Vac - two zones - both three way



CONFERENCE ROOM



#	REVISIONS	DATE
A	ILC CAD version added to SWX	6-30-20

SHEET INFORMATION

DATE: XX/XX/2020  
SCALE: NONE  
DRAWN BY: XX

Project:

PROJECT

Title:

SensorWorx WIRING  
DETAILS

GO#  
20XXXXX

Sheet:  
WD1021