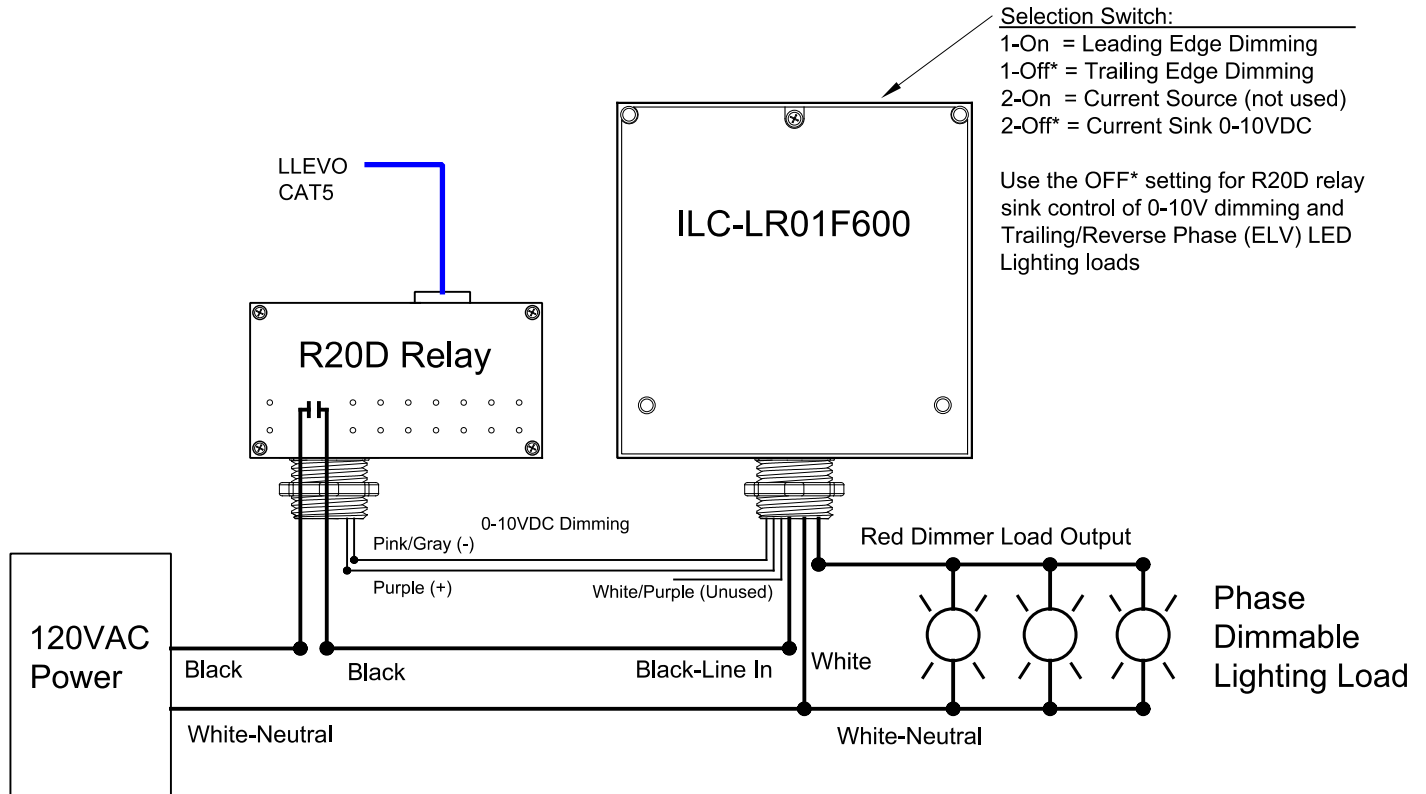


ILC-LR01F600 R20D Wiring Details

Selectable Forward or Reverse Phase Dimmer
Operated by the R20D Relay and EVO Panel



The ILC-LR01F600 selectable phase dimmer can be operated by the R20D relay for positive power off and 0-10VDC dimming control. This dimmer has a field settable switch for selecting trailing (ELV) or leading edge dimming.

- Connect the LR01F600 input to the relay load output, neutral and the 0-10VDC dimming control.
- Connect the lighting load to the dimmer output and neutral.
- Set the selector switch for trailing or leading edge operation.
- Verify all connections before turning on line voltage breaker.