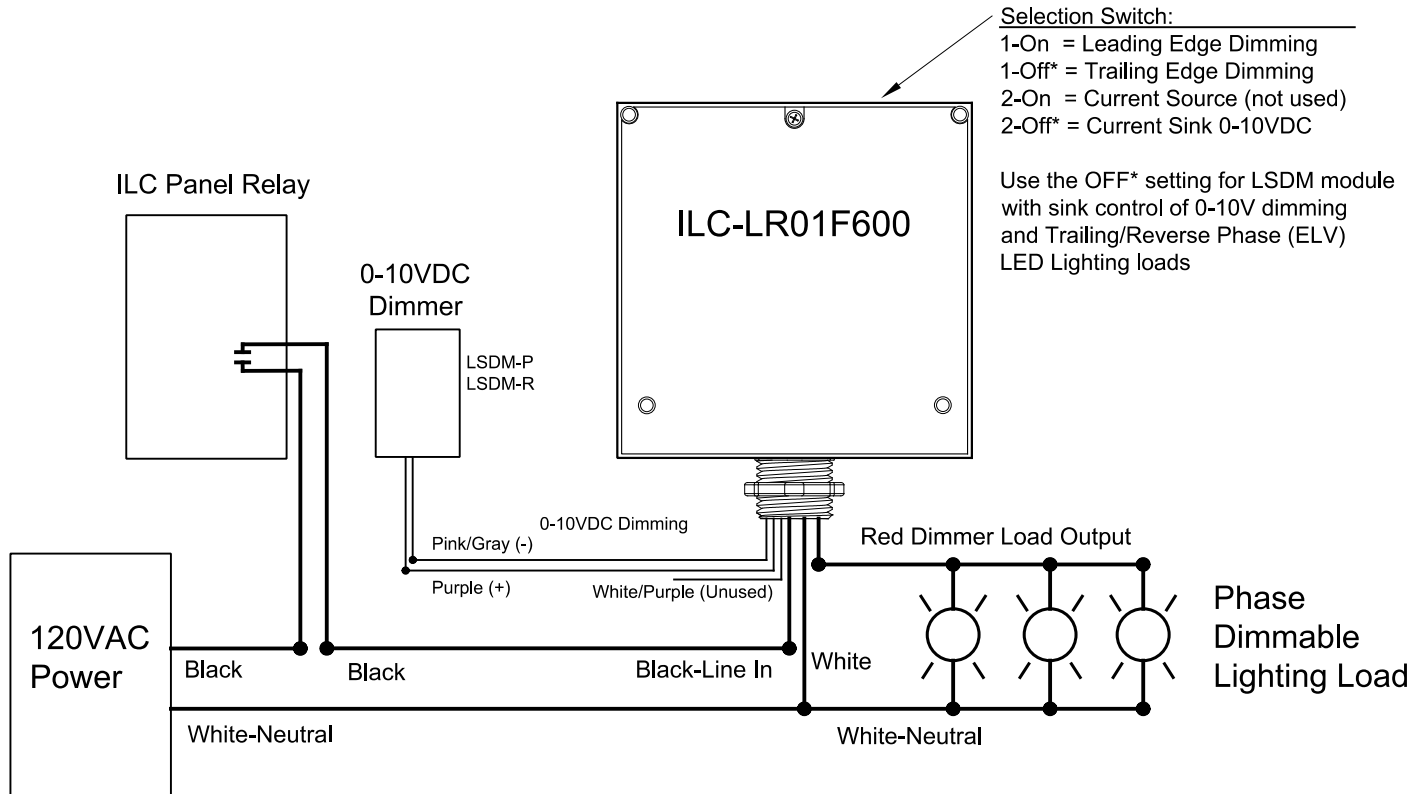


ILC-LR01F600 Panel Relay Wiring Details

Selectable Forward or Reverse Phase Dimmer
Operated by a ILC Panel Relay and Dimmer Module



The ILC-LR01F600 selectable phase dimmer can be operated by a ILC panel mounted relay for positive power off control and a panel or remote mounted 0-10VDC dimming control module. This dimmer has a field settable switch for selecting trailing (ELV) or leading edge dimming.

- Connect the LR01F600 input to the relay load output, neutral and the 0-10VDC dimming control.
- Connect the lighting load to the dimmer output and neutral.
- Set the selector switch for trailing or leading edge operation.
- Verify all connections before turning on line voltage breaker.