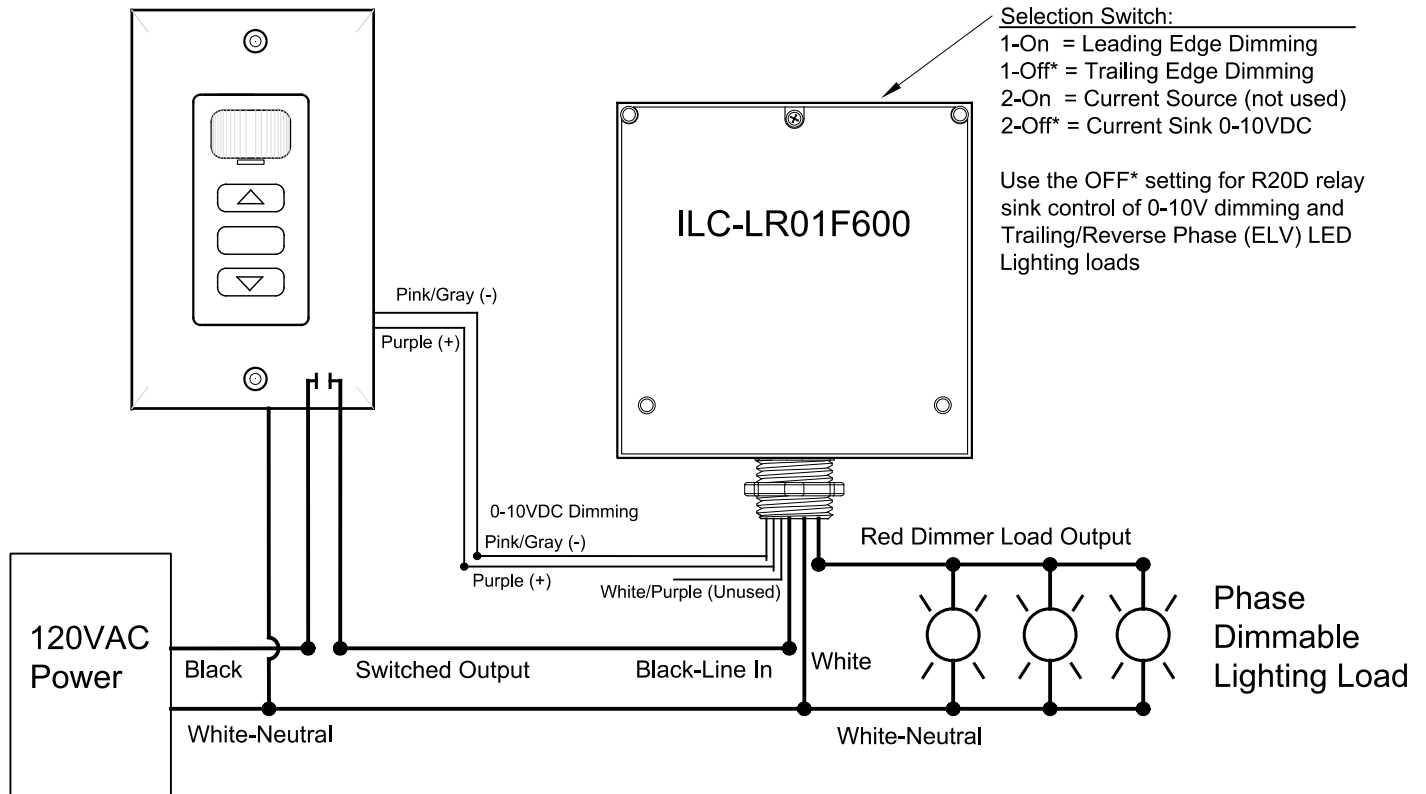


ILC-LR01F600 and ON/OFF 0-10V Dimmer Switch Wiring Details

Selectable Forward or Reverse Phase Dimmer
Operated by a On/Off 0-10VDC Dimmer Switch



The ILC-LR01F600 selectable phase dimmer can be operated by a 0-10VDC dimmer switch with on/off power control. This dimmer has a field settable switch for selecting trailing (ELV) or leading edge dimming.

- Connect the LR01F600 input to the switch load output, neutral and the 0-10VDC dimming control.
- Connect the lighting load to the dimmer output and neutral.
- Set the selector switch for trailing or leading edge operation.
- Verify all connections before turning on the line voltage breaker.