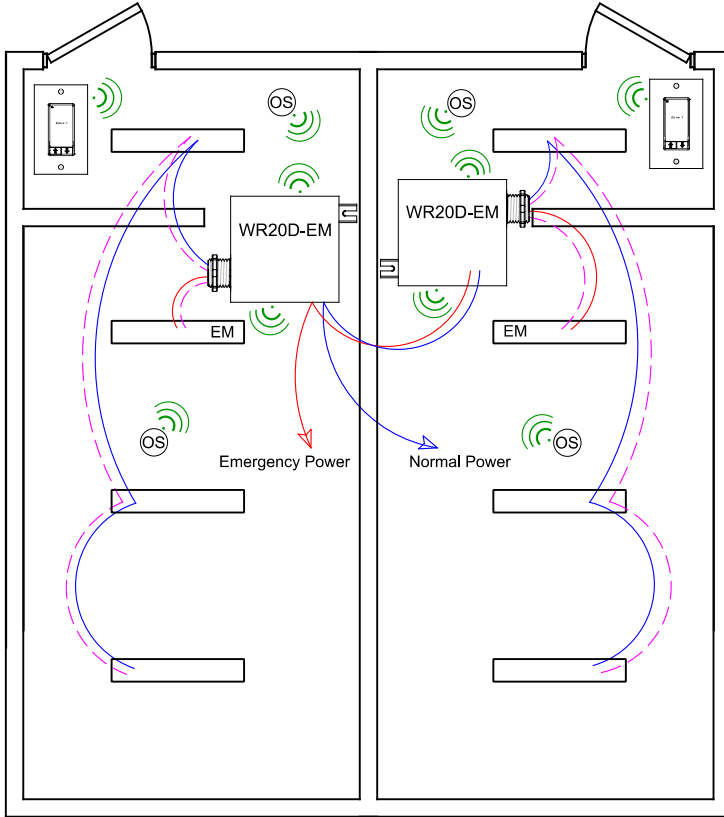


# PUBLIC RESTROOM

## WR20D-EM Wireless-Direct-Link



CONNECTION LEGEND	
	Normal Power
	Emergency Power
	0-10V Dimming
	ILC 915Mhz radio

Bill Of Material:		
Qt:	Product:	Description:
2	WR20D-EM	Wireless 20Amp dimming relay and UL 924 Emergency relay
2	LSG3-W-WH-1-MZD	LightSync G3 Wireless 1-Zone dimming digital switch station.
4	ILC-SWX-221-B	Occupancy sensor ceiling Dual Tech - 500sf

**OVERVIEW:**

Wireless devices are wireless-direct-linked to the control relay. Standard switch and sensor control operations are automatic.

**RADIO DISTANCE:**

Wireless radio distance is 100 feet line-of-sight. Radio distance is reduced through a standard construction wall, brick walls will reduce range further. Steel wall coverings, doors, and obstacles such as HVAC steel vent ducts or steel enclosures will block the radio signal.

**SEQUENCE OF OPERATION:**

Lights turn on at digital switch station, raise/lower adjustable dim level. Occupancy sensor input set for auto - on-50%/off control.

UL 924 Emergency load control will match normal control output. If normal power is lost to the WR20D-EM then the EM relay will close and dimming will go to 100% non-dim level. All switch and occupancy commands are ignored when in EM mode.

**ADDITIONAL OPTIONS:**

Wireless devices can be linked to a LLEVO-W wireless controller for networking the controls.

**CODE REQUIREMENTS SUPPORTED:**

Auto-Off from Occupancy sensor  
Multi-Level Dimming control  
Local Switch control w/dimming