

Wet Location Touch Button Switch

Overview

The Wet Location Touch Button Switch offers a durable push button switch that is ideal for medical or food-processing areas that are wet or require wash-down. Switches are rated to IP65. Protected from low pressure water jets from any direction and total dust ingress. Switch stations are available with 1 to 3 highly durable push buttons and have a status LED built into each button. Each button may be individually programmed to control any relay(s), group(s) or preset(s) throughout the network. Switch faceplates are stainless steel and are supplied with a sealing plate gasket.



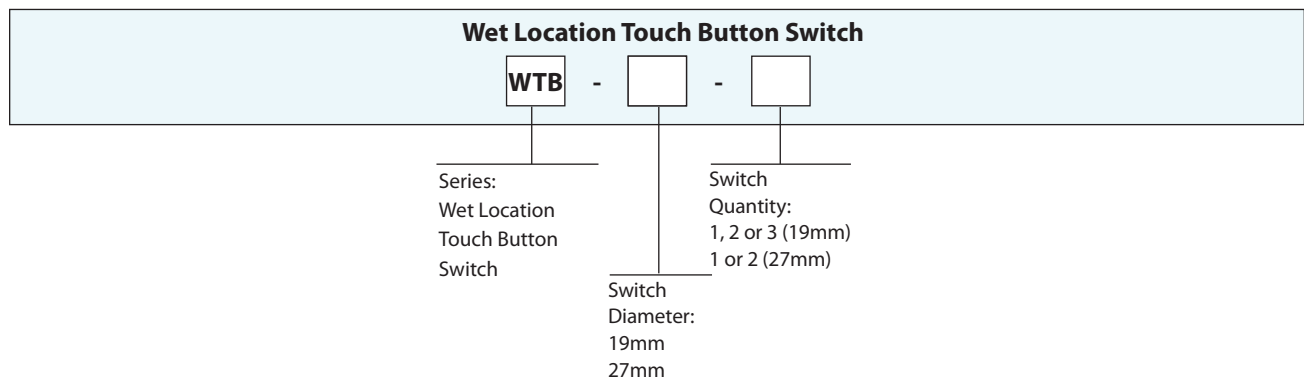
Features

- **Made in the USA**
- **Durable** water resistant switch station
- **Life expectancy** up to 50 thousand electrical cycles
- **Sealed** for pressure washing or wet areas
- **Switch station** available in 1 to 3 button configurations
- **Buttons can be programmed** to control any relay(s), group(s) or preset(s)
- **Status LED ring** indicates the true state of a relay(s), group(s) or preset(s)
- **Stainless steel faceplates**
- **Mounts** in a standard wet location single gang box
- **Gasket** provided with switch station

Warranty

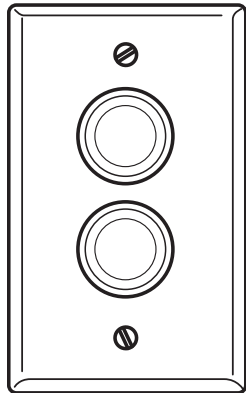
Six-year limited warranty

Ordering

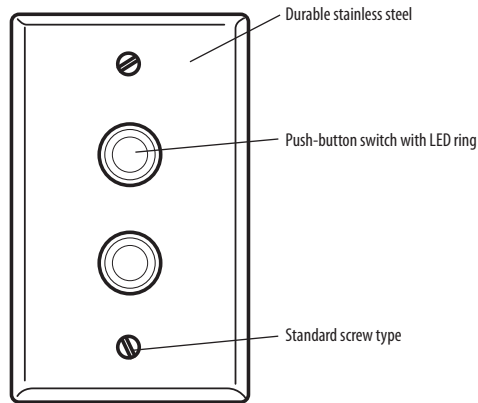


Wet Location Touch Button Switch

Physical

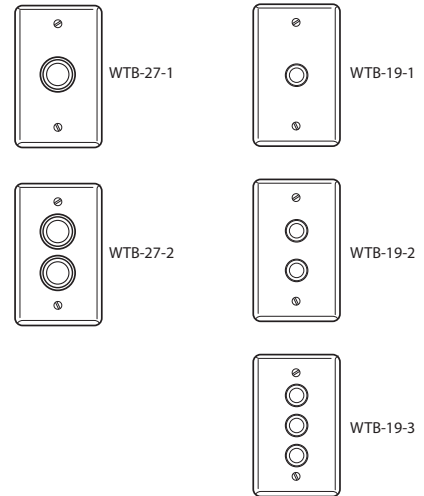


27mm Switch



19mm Switch

WTB Switch Station Configurations



Specifications

Physical:

- Standard single gang mounting
- Stainless steel switch and switch plate
- Pigtail wires for termination
- Water resistant switch
- Waterproof connectors included
- Gasket provided with switch station

Switch:

- Stainless steel
- Diameter of 19mm or 27mm
- Blue illuminated ring

Electrical:

- Current/voltage: 2A @ 24VDC
- LED: 20mA @ 2.8V
- 50,000 electrical life cycles

Operating Environment:

- Location: Interior/Exterior space
- Operating Temp.: -20 to 55 C°
- Switch Intrusion: IP65
- Atmosphere: Non-explosive/corrosive