

EVO Lite

Wall Sensor



Overview

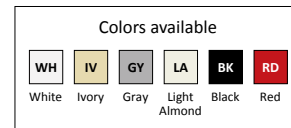
The EVO Lite Wall sensor is a cost-effective combination dual-tech occupancy sensor and switch station in a single device, featuring infrared and overlapping acoustic sensing. This sensor allows for hardwired connection over CAT-5 to the EVO Lite Power Pack.

Selectable dual-tech or PIR-only modes, timeouts, and sensitivities allow adjustments for superior performance in any space. The ELWS matches ILC's LSG3 family of digital switches, is available in the same 6 colors and 1 or 2 Zone stations configurations supporting Multi-Zone Dimming.



Features

- **Made in the USA, meets BABA Requirements**
- **Dual Tech PIR and acoustic sensor**
- **Raise and Lower Buttons** for ramp up and ramp down feature
- **Low voltage** for quick and easy installation

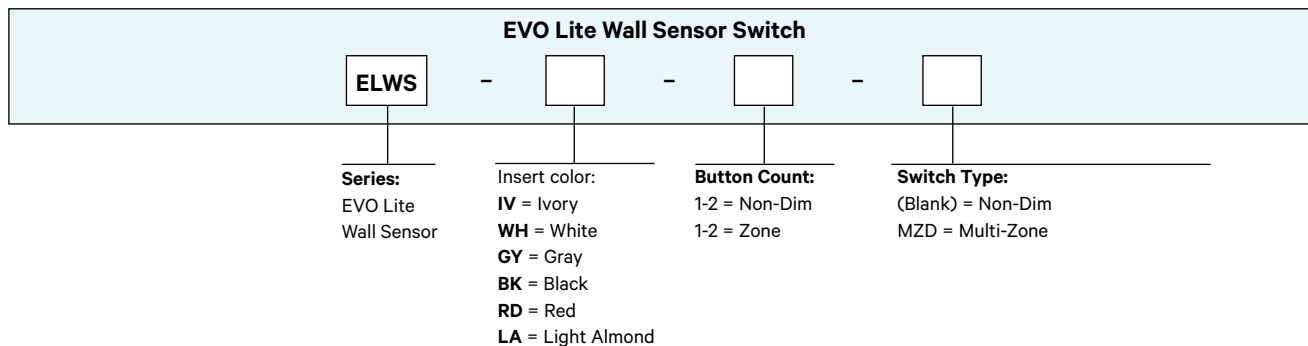


*wall plate cover not included

Warranty

Five-Year limited warranty

Ordering

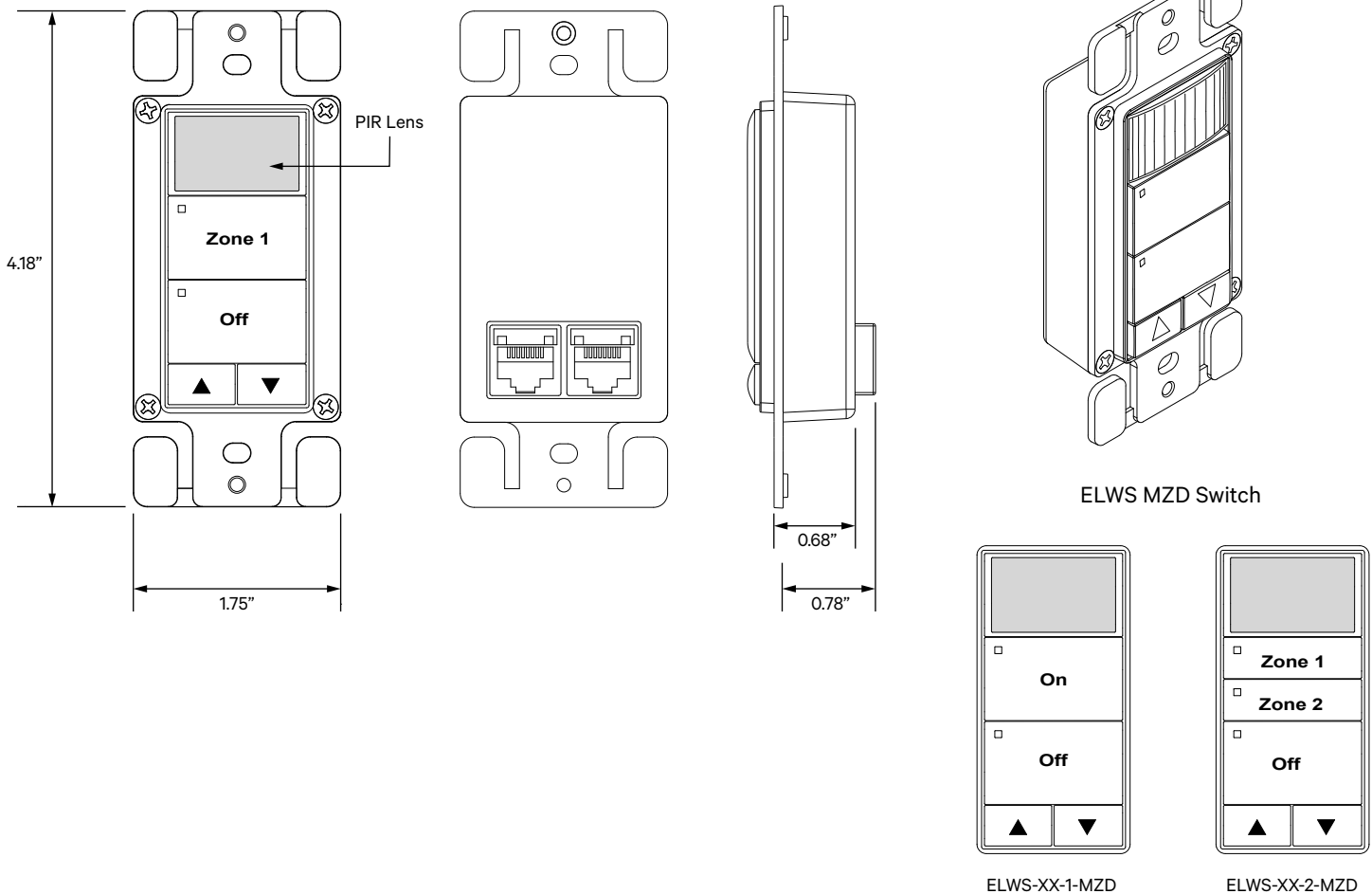


All ILC product configurations are built to be compliant with the Buy American Act of 1933 (BAA) or the Buy America Build America Act (BABA). BABA is the minimum Government compliance requirement for the Buy America Build America standards which is part of the Infrastructure and Investment Jobs Act (IIJA). Individual Government Agencies may have more stringent compliance standards. Please refer to the [DOMESTIC PREFERENCES](#) website or consult the CLS Domestic Preferences team for more information. Components shipped separately may be separately analyzed under domestic preference requirements.

EVO Lite

Wall Sensor

Physical



Specifications

Physical:

- 1.75" W x 4.18" H x 0.875"D

Operation:

- Available in 1 or 2 Zone

Electrical:

- Powered from EVO Lite Power Pack
- Low voltage

Operating Environment:

- Location: Interior space
- Operating Temp.: 0° to 50° C
- Humidity: 10% - 90% Non-condensing
- Atmosphere: Non-explosive/corrosive
- Vibration: Stationary

Domestic Preferences:

Domestic preference options to meet BAA or BABA requirements. BABA is the minimum Government compliance requirement for the Buy America Build America standards which is part of the Infrastructure and Investment Jobs Act (IIJA). Individual Government Agencies may have more stringent compliance standards. Please refer to the [DOMESTIC PREFERENCES](#) website or consult the CLS Domestic Preferences team for more information. Components shipped separately may be separately analyzed under domestic preference requirements.

Certifications and Approvals:

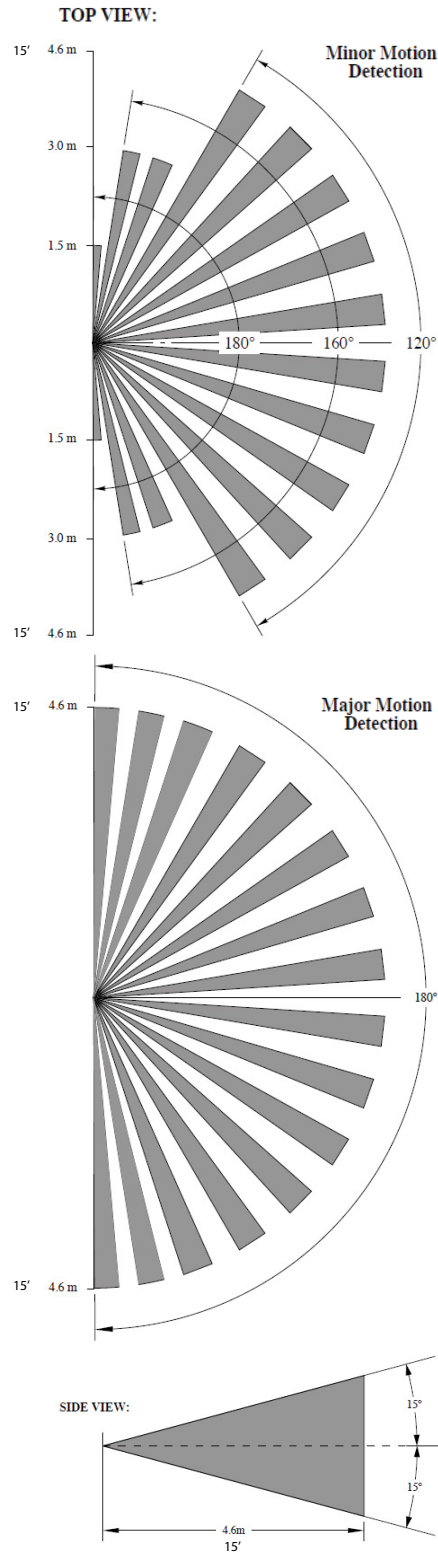
- FCC Part 15

See Technical Bulletin TB0620 for switch plate compatibility.

EVO Lite

Wall Sensor

Coverage

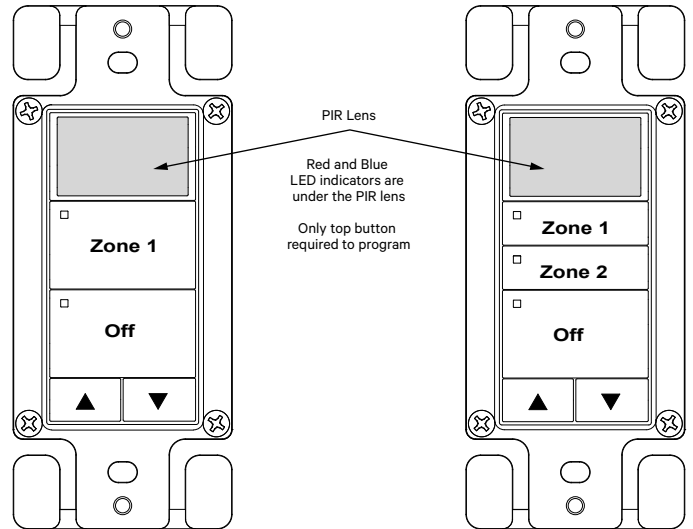


EVO Lite **Wall Sensor**

Sensor Button Sequences

- Hold button for 20 seconds to enter configuration mode
- Red LED will flash parameter number every 3 seconds
 - Tap for next Parameter
 - Hold to Select
- Blue LED will flash parameter value number every 3 seconds
 - Tap for next Parameter
 - Hold to Select
- 20 second idle timer will discard edits

Parameter		Value	
Blink		Blink	
1	MZD Enabled	1	Disabled
		2	Enabled
2	PIR Sensitivity	1	Low
		2	Mid
		3	High
			Invalid
3	Acoustic Sensitivity	1	Low
		2	Mid
		3	High
		4	Disabled
4	Vacancy Time	1	5 Min
		2	10 Min
		3	15 Min
		4	20 Min
		5	30 Min
		6	60 Min
		7	120 Min
5	LEDs	1	Disabled
		2	Enabled
6	Exit Settings Mode	1	Discard
		2	Save



EVO Lite System

This diagram shows the the main components and topology of the Intelligent Lighting Controls EVO Lite system. The EVO Lite devices use CAT5 cable for device to device communications. See EVO Lite design guide for typical wiring data.

