



## Overview

The ILC Remote 20 Amp, Emergency Bypass Relay combines normal relay operation with a UL 924 bypass relay in one convenient package. When normal power is lost the EM relay will automatically force ON the EM load and send dimming to 100%. When normal power is restored the device will return to normal control. The R20D-EM have a relay test button, and a wired input that can be used for a remote test switch or as an override connection from a fire alarm system.



## Features

- **Made in the USA, meets BABA Requirements**
- **Emergency and Normal** power control combined in one device
- **UL 924** rated
- **EM Relay** rated up to 20 Amp @120/277VAC
- **Normal Relay** rated up to 20 Amp @120/277VAC
- **EM Load follow** operation of normal load control
- **Test button** for local Test operation
- **Override** Input for remote Emergency test switch or fire alarm system override
- **Plenum rated**
- **Direct mounting** at power junction box or light fixture with 1/2" K.O.
- **Digital CAT-5** ready control from LLEVO controller up to 100 feet

## Warranty

Five-Year limited warranty

## Ordering

### LightLEEDer Remote 20 Amp Dimming relay with Emergency Bypass

R20D-EM

**Series:**

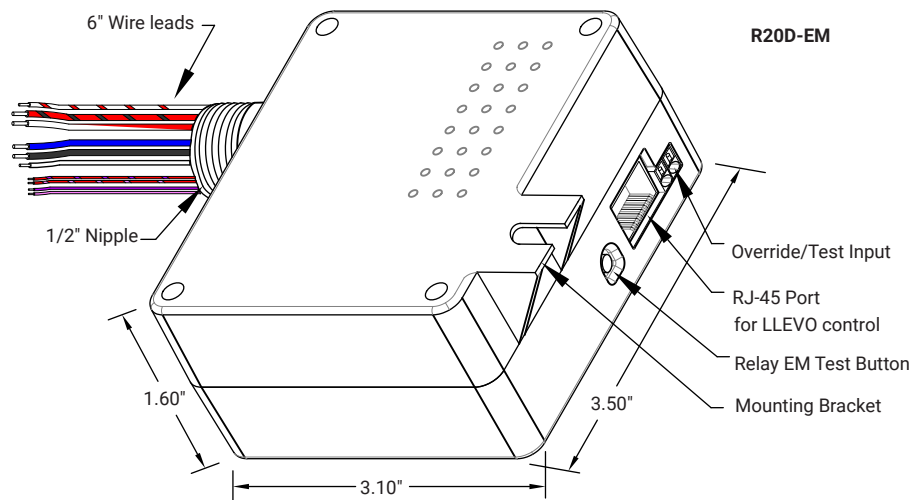
LightLEEDer Remote 20 Amp  
Dimming Relay with EM load

All ILC product configurations are built to be compliant with the Buy American Act of 1933 (BAA) or the Buy America Build America Act (BABA). BABA is the minimum Government compliance requirement for the Buy America Build America standards which is part of the Infrastructure and Investment Jobs Act (IIJA). Individual Government Agencies may have more stringent compliance standards. Please refer to the [DOMESTIC PREFERENCES](https://www.dpmc.gov/procurement/procurement-preferences) website or consult the CLS Domestic Preferences team for more information. Components shipped separately may be separately analyzed under domestic preference requirements.

## LightLEEDer

## Remote 20 Amp Dimming relay with Emergency Bypass

## Physical



## Specifications

**Safeguards:**

- LED electronic load inrush rated
- 600VAC rated wire leads including 0-10V leads
- 4000V Isolation 0-10VDC dimming

**Physical:**

- Dimensions 3.50" x 3.10" x 1.60"
- Polycarbonate plastic enclosure
- 6" wire leads for connections provided
- Color coded leads for easy wiring
- ½" nipple for mounting to electrical box
- Conduit nut provided

**Electrical:**

- 20 Amps, 120/277VAC tungsten
- 16 Amps, 120/277VAC electronic ballast, LED, CFL
- 1/4HP @ 120VAC motor load
- Plug-load compatible
- 100mA Sink 0-10V dimming loads combined
- SCCR: 5kA

**Override Test Input:**

- 10-28VAC/DC 5mA input current
- Test button on relay

**Operating Environment:**

- Location: Interior space
- Operating Temperature: 0° to 50° C
- Humidity: 10% - 90% Non-condensing
- Atmosphere: Non-explosive/corrosive
- Vibration: Stationary

**Domestic Preferences:**

Domestic preference options to meet BAA or BABA requirements. BABA is the minimum Government compliance requirement for the Buy America Build America standards which is part of the Infrastructure and Investment Jobs Act (IIJA). Individual Government Agencies may have more stringent compliance standards. Please refer to the [DOMESTIC PREFERENCES](#) website or consult the CLS Domestic Preferences team for more information. Components shipped separately may be separately analyzed under domestic preference requirements.

**Certifications:**

- UL CUL 916/924
- Plenum Rated UL 2043
- FCC Part 15