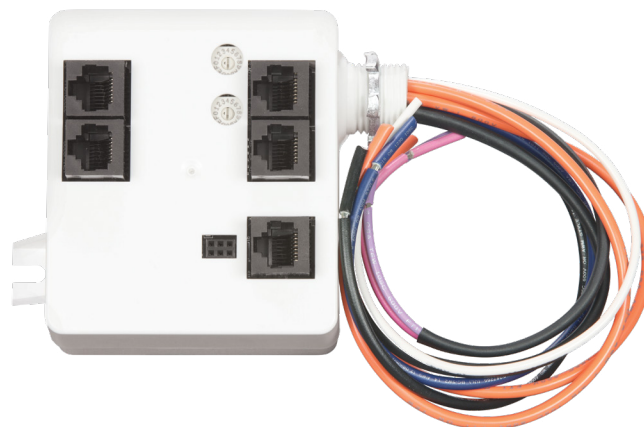




Overview

The LightSync EVO Integrated 2 Room Controller has 2 isolated relays with 0-10V dimming. This controller integrates the control options of an EVO-RC with two on-board relays in one package for easy installation. Up to 3 LSEVO-INT-2-RC room controllers can be added to a LLEVO-INT-2 to extend its control into additional rooms or a small office with two zones of lighting control with daylight harvesting or one lighting zone and a plug load. It has RJ-45 ports for local digital LightSync switches, occupancy sensors, and a photo sensor. This convenient and easy to install two relay room controller is great for extending the controls of an LLEVO-INT-2 controller.



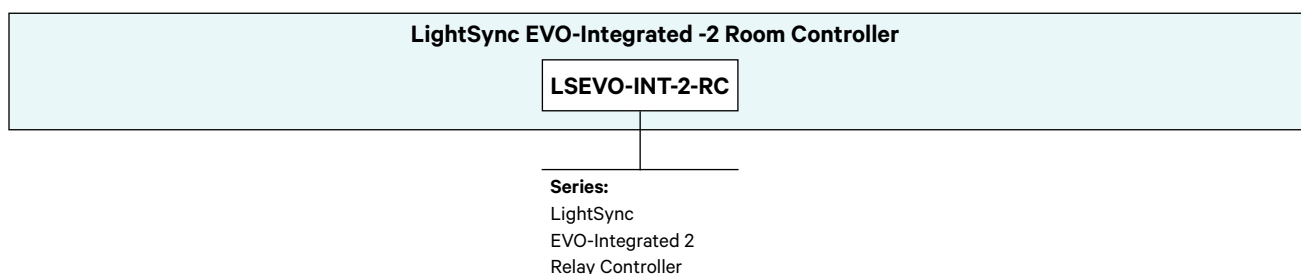
Features

- **Made in the USA, meets BABA Requirements**
- **2 Isolated load relays** rated up to 20 Amps for lighting loads or plug-loads
- **Galvanically Isolated** 0-10V dimming outputs
- **Occupancy sensor** input RJ-45 port for motion sensor occupancy or vacancy control
- **Photocell Sensor** input RJ-45 port for daylight monitoring
- **RJ-45** port for digital LightSync switch devices
- **Power** for digital LightSync switches, photocell sensor and occupancy sensors
- **Easy installation** with everything Integrated in one convenient box
- **Oversized relays** for extended life of product with contacts designed for LED inrush current
- **In/Out LS** ports and LS RC address switches for setting the room controller extension address from a LLEVO-INT-2 panel
- **Address** can be set to include (02, 03, 04) or to exclude (82, 83, 84) the on-board device inputs
- **Network-Programmed** from the LLEVO-INT-2 controller
- **Plenum rated**

Warranty

Five-Year limited warranty

Ordering

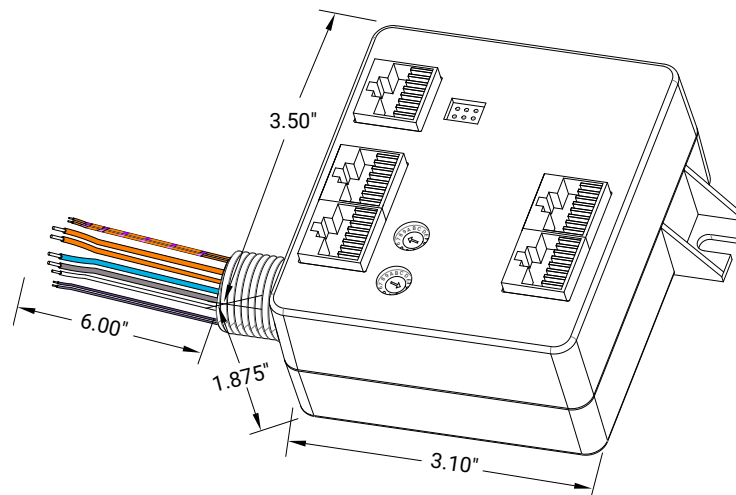


All ILC product configurations are built to be compliant with the Buy American Act of 1933 (BAA) or the Buy America Build America Act (BABA). BABA is the minimum Government compliance requirement for the Buy America Build America standards which is part of the Infrastructure and Investment Jobs Act (IIJA). Individual Government Agencies may have more stringent compliance standards. Please refer to the [DOMESTIC PREFERENCES](https://www.dpmc.gov/procurement/procurement-preferences) website or consult the CLS Domestic Preferences team for more information. Components shipped separately may be separately analyzed under domestic preference requirements.

LightSync Digital

EVO-Integrated -2 Room Controller

Physical



Specifications

Safeguards:

- Power surge and spike suppression up to 123 volts from power supply to controller
- Memory retention for firmware and programming up to 200 years and electrostatic discharge to 4kV
- Galvanically isolation to 1500V for the 0-10VDC dimmer outputs, with revert to 100% on power loss

Physical:

- Enclosure: 3.10" x 3.50" x 1.875"
- Plastic enclosure with 1/2" nipple and mounting tab
- Color coded wire leads for easy field termination
- RJ-45 connectors provide for easy connections

Interfaces:

- LightSync network In/Out ports for connection to RC panels from LLEVO-INT-2 relay panel local LS port
- Occupancy sensor input with RJ-45 port
- Photocell Sensor input with RJ-45 port for daylight sensor
- RJ-45 port for up to 3 digital LS CAT-5 device addresses

Operating Environment:

- Location: Interior space
- Operating Temperature: 0° to 50° C
- Humidity: 10% - 90% Non-condensing
- Atmosphere: Non-explosive/corrosive
- Vibration: Stationary

Electrical:

- 120/277VAC @ .6 amps
- Dimming: 100mA sink per isolated output

Relays:

- 16A, 120/277VAC Electronic Ballast (LED)
- 20A 120/277VAC General
- 1/4 HP @ 120 VAC Motor Load

Inputs: 24VDC

- Powered LS Devices, Distance, Input power available
 - Powered LS Devices, Distance, Input power available
- 1 CAT-5 Devices, 300' accumulative, 70mA Occupancy sensor power
- 2 CAT-5 Devices, 500' accumulative, 60mA Occupancy sensor power
- 3 CAT-5 Devices, 600' accumulative, 50mA Occupancy sensor power

Domestic Preferences:

Domestic preference options to meet BAA or BABA requirements. BABA is the minimum Government compliance requirement for the Buy America Build America standards which is part of the Infrastructure and Investment Jobs Act (IIJA). Individual Government Agencies may have more stringent compliance standards. Please refer to the [DOMESTIC PREFERENCES](#) website or consult the CLS Domestic Preferences team for more information. Components shipped separately may be separately analyzed under domestic preference requirements.

Certifications and Approvals:

- UL and CUL listed
- FCC Part 15
- Title 24
- ASHRAE compliant
- IECC compliant
- Plenum rated