



Overview

The LightSync EVO Room Controller is a distributed lighting panel that simplifies expansion of a LLEVO or any LightLEEDer panel. The LSEVO-RC supports up to four R20D relays, two photo sensors, and two 6-button G3 switches. Easily connect R20D relays with CAT-5 to control lighting loads, 0-10V dimming, or receptacles. Programming can be easily modified using the ILC Pro Bluetooth app or LightLEEDer Pro software.



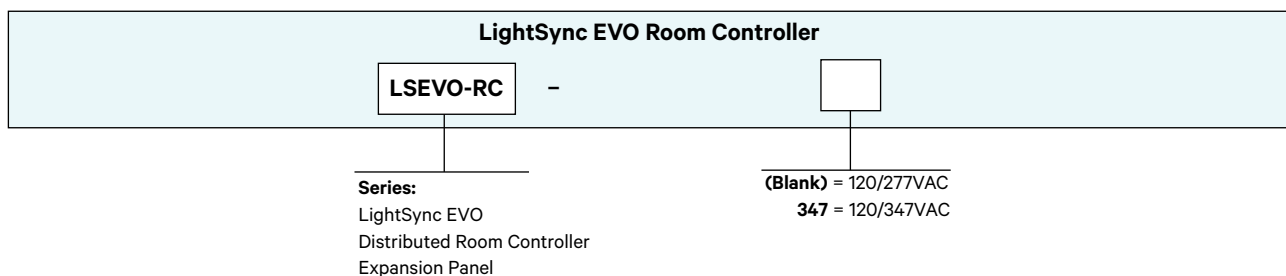
Features

- **Made in the USA, meets BABA Requirements**
- **RJ45 Outputs** for up to 4 R20 relays
- **Plug-load** compatible
- **Remote** mounted relay for direct connection to loads
- **Galvanically Isolated** 0-10V dimming for 4 zones
- **Status LED and Override** buttons for remote relay control
- **Daylight Control** for up to two spaces by adding PC-IND sensors
- **Networked** with any LLEVO or LightLEEDer panel
- **200mA power** provided for occupancy or vacancy sensors inputs
- **RJ45 connectors** for networking and CAT-5 devices
- **Enclosure**, suitable for plenum mounting

Warranty

Five-Year limited warranty

Ordering

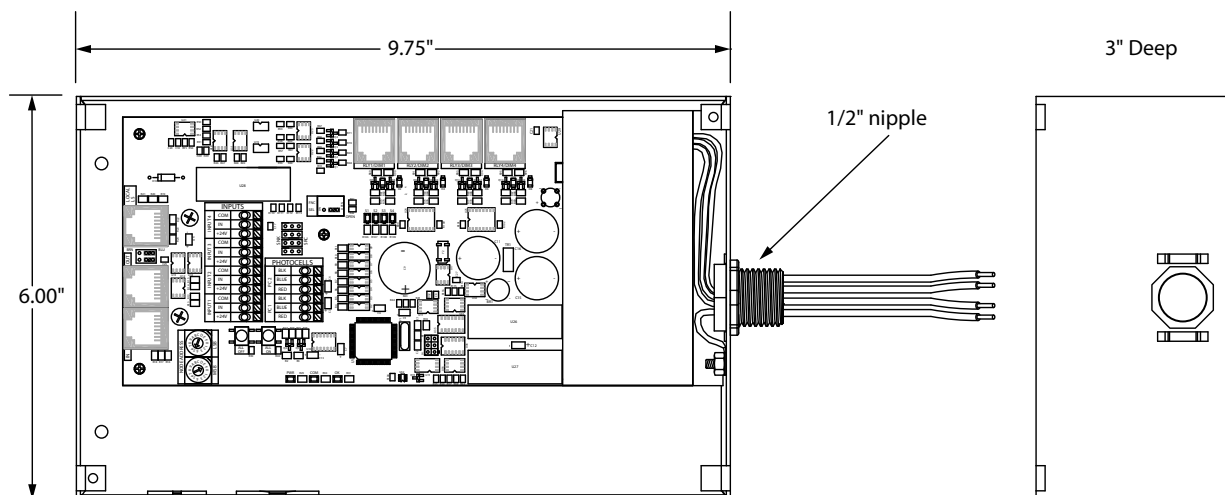


All ILC product configurations are built to be compliant with the Buy American Act of 1933 (BAA) or the Buy America Build America Act (BABA). BABA is the minimum Government compliance requirement for the Buy America Build America standards which is part of the Infrastructure and Investment Jobs Act (IIJA). Individual Government Agencies may have more stringent compliance standards. Please refer to the [DOMESTIC PREFERENCES](#) website or consult the CLS Domestic Preferences team for more information. Components shipped separately may be separately analyzed under domestic preference requirements.

LightSync Digital

EVO Room Controller

Physical



Specifications

Safeguards:

- Power surge and spike suppression up to 123 volts on the 20VAC power input to controller
- Memory retention for firmware and programming up to 200 years and electrostatic discharge to 4kv
- Galvanically isolation to 1500V for the 0-10VDC dimmer outputs, with revert to 100% on power loss

Physical:

- Enclosure: 9-3/4"x 6"x 3" NEMA 1
- Galvanized steel enclosure and screw cover
- Provided with pre-drilled mounting holes
- High voltage barrier separates Class 2 wiring
- 1/2" nipple for mounting to electrical box
- 6" wire leads for high voltage connections
- Push to connect low voltage terminals
- Color coded labels for easy terminal identification
- RJ45 connectors provide for easy connection
- Enclosure, suitable for plenum mounting

Integrated Interfaces:

- 4 inputs for hardwire switches or occupancy sensors
- Photocell controller for 2 sensor heads or zones
- RJ-45 port for up to 4 ILC CAT-5 devices
- 4 RJ-45 ports for R20 remote relays

Electrical:

- 120/277VAC @.6 amps (120/347VAC Optional)
- Input: 24 VDC (See below for details)
- Dimming: 100mA sink
- Powered Devices/Distance/Input Power Draw:
- 4 CAT-5 devices, 400' accumulative feet, 200mA occupancy sensor power

Operating Environment:

- Location: Interior space
- Operating Temperature: 0° to 50° C
- Humidity: 10% - 90% Non-condensing
- Atmosphere: Non-explosive/corrosive
- Vibration: Stationary

Domestic Preferences:

Domestic preference options to meet BAA or BABA requirements. BABA is the minimum Government compliance requirement for the Buy America Build America standards which is part of the Infrastructure and Investment Jobs Act (IIJA). Individual Government Agencies may have more stringent compliance standards. Please refer to the [DOMESTIC PREFERENCES](#) website or consult the CLS Domestic Preferences team for more information. Components shipped separately may be separately analyzed under domestic preference requirements.

Certifications and Approvals:

- UL and CUL listed
- FCC Part 15
- Title 24
- ASHRAE compliant
- IECC compliant