



Overview

The ILC LSPSD is a phase control dimmer that delivers premium performance while providing significant design versatility and flexibility. The LSPSD is compatible with most common load types up to 8A. This includes LED, ELV, MLV and incandescent lighting loads. In addition to Leading and Trailing Edge dimming, the LSPSD is also a LightSync compatible device, meaning that it can be seamlessly integrated into any applications utilizing the ILC LightSync bus. This device can also be controlled independently from any 0-10V input, and these devices can be daisy chained to provide consistent and coordinated dimming performance.



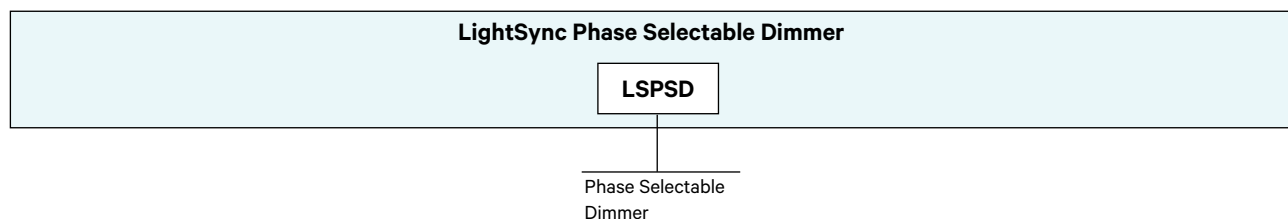
Features

- **Made in the USA, meets BAA and BABA requirements**
- Compatible with common load types
- External in-line load fuse
- **Optically Isolated outputs**
- **0-10V Input and Output** for LightSync address optimization and coordinated dimming performance across multiple fixtures
- **RJ45 connectors** for connecting to LightSync dataline
- Suitable for plenum mounting

Warranty

Five-Year limited warranty

Ordering

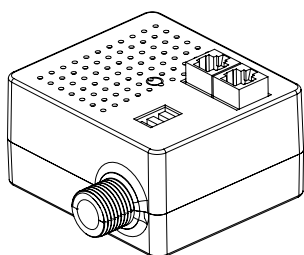
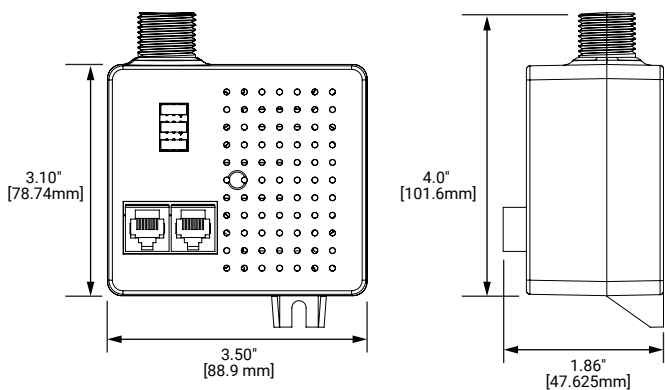


All ILC product configurations are built to be compliant with the Buy American Act of 1933 (BAA) or the Build America Buy America Act (BABA). BABA is the minimum Government compliance requirement for the Build America Buy America standards which is part of the Infrastructure and Investment Jobs Act (IIJA). Individual Government Agencies may have more stringent compliance standards. Please refer to the [DOMESTIC PREFERENCES](https://www.dpmc.gov/procurement/procurement-preferences) website or consult the CLS Domestic Preferences team for more information. Components shipped separately may be separately analyzed under domestic preference requirements.

LightSync

Phase Selectable Dimmer

Physical



Switch Positions

Load Type	Control Type	0-10V		LightSync	
	MLV / Incandescent	Phase Dim	On/Off	0-10V Output	Phase Dim
ELV / LED	Reverse (LED/ELV)	Forward (INC/MLV)	LightSync	Reverse (LED/ELV)	Forward (INC/MLV)
	0-10V Input	LightSync		0-10V Input	LightSync
	Phase Dim	On/Off	0-10V Output	Phase Dim	On/Off
	Reverse (LED/ELV)	Forward (INC/MLV)	LightSync	Reverse (LED/ELV)	Forward (INC/MLV)
	0-10V Input	LightSync		0-10V Input	LightSync

Switch Descriptions

Left	Right	Comments
Phase Dim	On/Off (0-10V OUTPUT)	Phase Dim = For use with phase dimmable fixtures On/Off (0-10V OUTPUT) = AC functions as Electronic Relay
Reverse (LED/ELV)	Forward (INC/MLV)	Reverse (LED/ELV) = Trailing Edge for ELV/LED Forward (INC/MLV) = Leading Edge for MLV/Incandescent
0-10V INPUT	LightSync	0-10V = Mode for control via the 0-10V input leads LightSync = Mode for control as a LightSync device on the local bus of a panel

* When changing the three control mode switches on the LSPSD it is required the power to the dimmer device be shut off at the breaker to prevent accidental damage.

Specifications

Safeguards:

- Incorporates a 20A cut-out relay with on/off settings
- External in-line load fuse
- 18 AWG wire leads for line/load/neutral power, and 20 AWG wire for all LV leads. All are rated for 600VAC.

Physical:

- **Size:** 3.10" x 3.50" x 1.875" (78.74 x 88.9 x 47.625mm)
- Plastic enclosure with ½" molded electrical nipple and mounting bracket
- Molded plastic enclosure with a 5VA flammability rating

Electrical:

- Voltage: 120/277VAC @ 60Hz
- Load Ratings: 8A Electronic Ballast (LED), 8A Tungsten (incandescent), 8A Magnetic Ballast
- Device Ratings: 2W @ 120/277VAC (no load)
- Output Ratings: 8A @ 120/277VAC (or eq Wattage 960W / 2200W)
- Incorporates a 20A cut-out relay with on/off settings
- Internal Line fuse, and external in-line load fuse
- Outputs optically isolated
- 0-10V dimming output, sink up to 100mA, Class 2 (suitable for Class1)
- 0-10V input, Class 2 (suitable for Class 1)

Integrated Interfaces:

- 2 RJ45 connectors for LightSync local network
- 2 Rotary LightSync address switches
- Slide switches for Phase-cut/Full-wave, Trailing/Leading edge dimming, and 0-10V/LightSync Input

Operating Environment:

- Location: Interior space
- Operating Temp: 0°- 50° C
- Humidity: 10% - 90% Non-condensing
- Atmosphere: Non-explosive/corrosive
- Vibration: Stationary

Domestic Preferences:

Domestic preference options to meet BAA or BABA requirements. BABA is the minimum Government compliance requirement for the Build America Buy America standards which is part of the Infrastructure and Investment Jobs Act (IIJA). Individual Government Agencies may have more stringent compliance standards. Please refer to the [DOMESTIC PREFERENCES](#) website or consult the CLS Domestic Preferences team for more information. Components shipped separately may be separately analyzed under domestic preference requirements.

Certifications and Approvals:

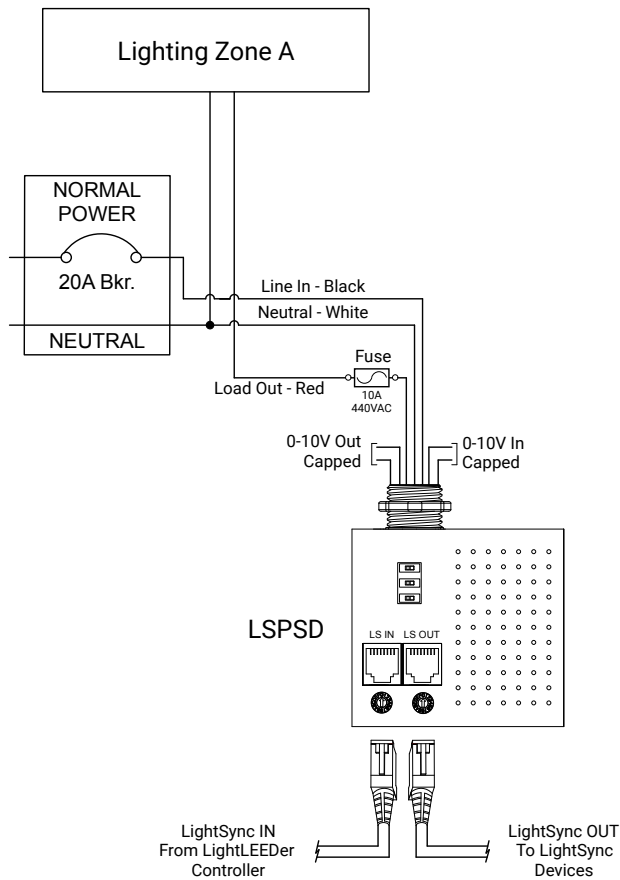
- Plenum Rated (UL2043)
- UL/CUL Listed (UL916)
- FCC Part 15 Class A
- NEMA SSL 7A
- RoHS

LightSync

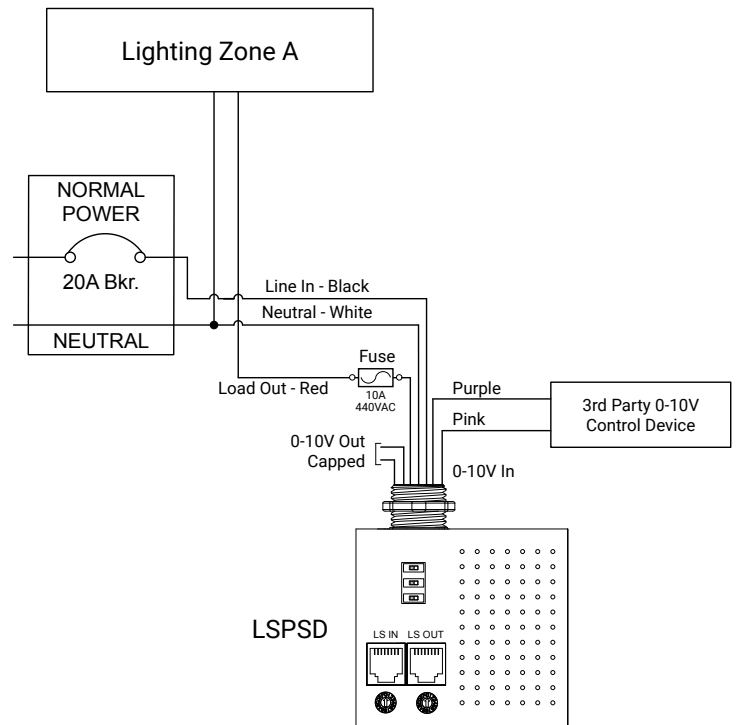
Phase Selectable Dimmer

Wiring

LightSync Control



3rd Party 0-10V



Line Voltage Wire Color

Neutral = White
Line Input = Black
Load Output = Red

Class-2 Wire Color

Dimming Output 0-10VDC (+) = Purple
Dimming Output 0-10VDC (-) = Pink
Dimming Input 0-10VDC (+) = Purple / White
Dimming Input 0-10VDC (-) = Pink / White

0-10V Input (Striped Purple & Pink):
Source input, for connection to any 0-10V dimmer.

0-10V Output (Purple & Pink):
Sinking output, for connection to any 0-10V driver / light fixture.

