



## Overview

The LightSync Digital Power Supply Repeater 4 (LSPSR4) is a remote mounted power supply and data repeater. The PSR4 adds power for LightSync devices and refreshes both LS and LL data communications and is ideal for network distribution. The LSPSR4 has one input and two branch outputs with 2 ports for going up to 4 directions. The power supply supports an additional 20 LS devices and the repeaters refresh data for up to 31 more LL/LS device per branch.

## Features

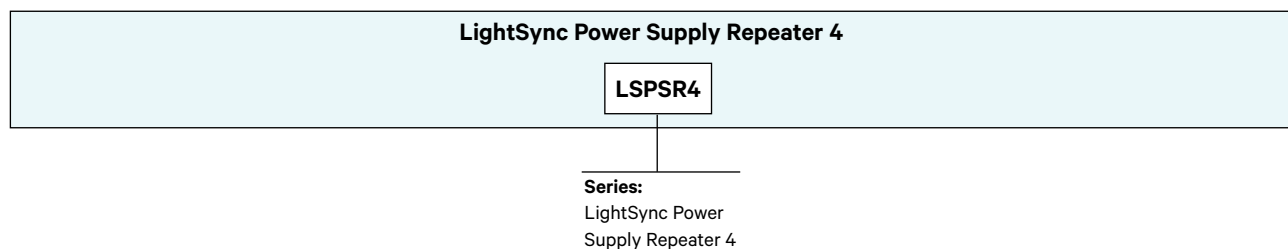
- **Made in the USA, meets BAA and BABA Requirements**
- **Digital CAT 5** ready
- **4 Output ports** for adding power and repeating data
- **1/2" Mounting** nipple for easy junction box installation
- **Extends network data** length by 3000 feet combined distance end to end for each of the 2 branch output pairs
- **Additional power** for up to 20 CAT-5 LS devices for the 2 branch output runs combined at a cumulative distance of 3000 feet total



## Warranty

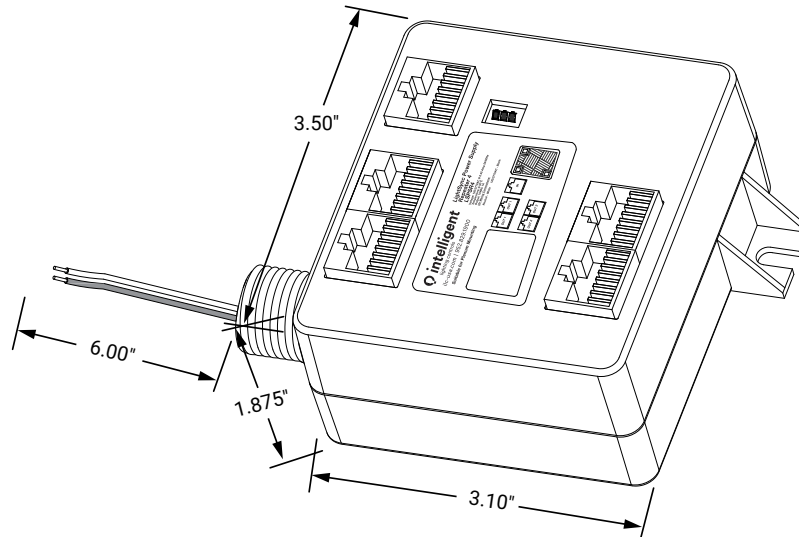
Five-Year limited warranty

## Ordering



All ILC product configurations are built to be compliant with the Buy American Act of 1933 (BAA) or the Build America Buy America Act (BABA). BABA is the minimum Government compliance requirement for the Build America Buy America standards which is part of the Infrastructure and Investment Jobs Act (IIJA). Individual Government Agencies may have more stringent compliance standards. Please refer to the [DOMESTIC PREFERENCES](#) website or consult the CLS Domestic Preferences team for more information. Components shipped separately may be separately analyzed under domestic preference requirements.

## Physical



## Specifications

### Physical:

- Remote mounted enclosure 3.10" x 3.5" x 1.87"
- Mount to junction box with 1/2" nipple
- 6" power leads
- Polycarbonate plastic enclosure

### Electrical:

- 120/277 VAC power supply
- 0.45 Amps at 120 VAC
- 1 Amp 15VDC

### Capacities:

- Powers up to 20 additional CAT-5 LS devices at a cumulative distance of 3000 feet across the two branch pairs of outputs combined
- Two data repeaters provide additional 3000 feet end to end per branch pair
- Refer to ILC Technical Bulletin # TB1408 for details on calculating CAT-5 cable run distance

### Operating Environment:

- Location: Interior space
- Operating Temp.: 0° to 50° C
- Humidity: 10% - 90% Non-condensing
- Atmosphere: Non-explosive/corrosive
- Vibration: Stationary

### Domestic Preferences:

Domestic preference options to meet BAA or BABA requirements. BABA is the minimum Government compliance requirement for the Build America Buy America standards which is part of the Infrastructure and Investment Jobs Act (IIJA). Individual Government Agencies may have more stringent compliance standards. Please refer to the [DOMESTIC PREFERENCES](#) website or consult the CLS Domestic Preferences team for more information. Components shipped separately may be separately analyzed under domestic preference requirements.

### Certifications and Approvals:

- UL
- CUL
- Plenum rated UL 2043
- FCC Part 15