



## Overview

The LightSync Digital Key Switch Station provides an extra level of security and limits access to only those who possess the key. Switch stations have a high quality 5-tumbler key switch and status LED. Key switches may be programmed to control any relay(s), group(s) or preset(s) throughout the network. Key Switches are available in stainless steel.



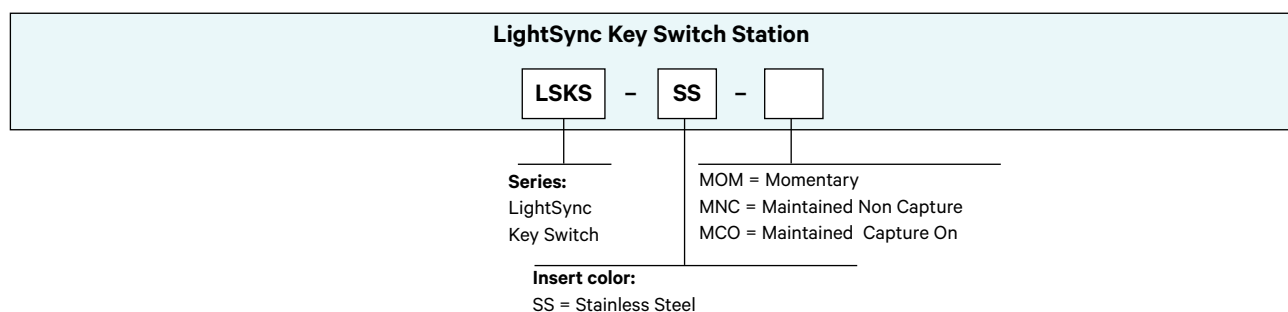
## Features

- **Made in the USA, meets BABA Requirements**
- **Digital CAT-5 Ready**
- **Data line** key switch station
- **Switches** supplied with momentary or maintained closures
- **Secure** 5-tumbler high quality switches
- **Program** to control to control any relay(s), group(s) or preset(s)
- **Status LEDs** for indicating the true state of a relay, group or preset
- **Key Switch Stations** are available in stainless steel
- **Mounts** in a standard single gang box
- **Engraving** is available for switch identification
- Remote mount anywhere on the LightSync network
- **Self powered** from the network
- **Addressable** rotary switches

## Warranty

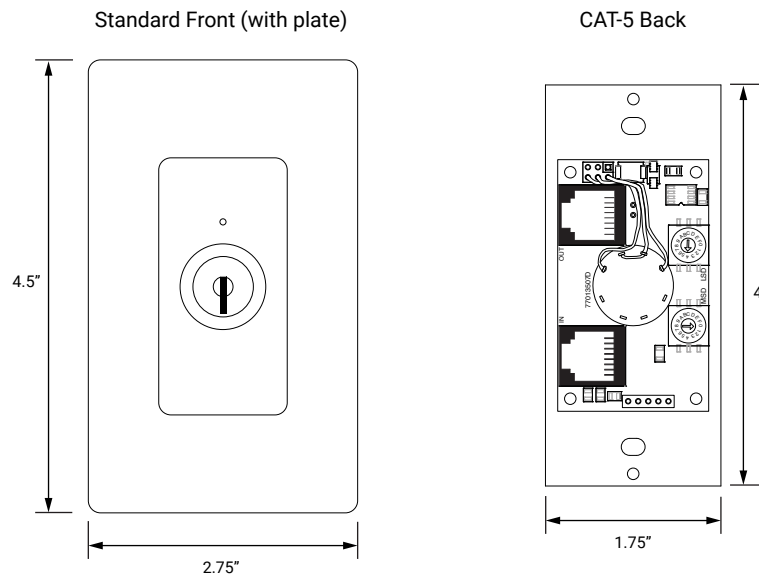
Five-Year limited warranty

## Ordering



All ILC product configurations are built to be compliant with the Buy American Act of 1933 (BAA) or the Buy America Build America Act (BABA). BABA is the minimum Government compliance requirement for the Buy America Build America standards which is part of the Infrastructure and Investment Jobs Act (IIJA). Individual Government Agencies may have more stringent compliance standards. Please refer to the [DOMESTIC PREFERENCES](#) website or consult the CLS Domestic Preferences team for more information. Components shipped separately may be separately analyzed under domestic preference requirements.

## Physical



## Specifications

### Physical:

- Standard single gang mounting
- Digital addressing switches
- RJ45 connectors provided for easy connection
- Mounting screws provided
- Available in stainless steel

### Switches:

- Momentary SPDT
- Maintained SPDT (on-off-on) key removable in “on” position (MNC - Non Capture)
- Maintained SPDT (on-off-on) key removable in “off” position (MCO - Capture On)

### Electrical:

- Powered from the panel or LightSync network

### Operating Environment:

- Location: Interior space
- Operating Temp.: 0° to 50° C
- Humidity: 10% - 90% Non-condensing
- Atmosphere: Non-explosive/corrosive
- Vibration: Stationary

### Domestic Preferences:

Domestic preference options to meet BAA or BABA requirements. BABA is the minimum Government compliance requirement for the Buy America Build America standards which is part of the Infrastructure and Investment Jobs Act (IIJA). Individual Government Agencies may have more stringent compliance standards. Please refer to the [DOMESTIC PREFERENCES](#) website or consult the CLS Domestic Preferences team for more information. Components shipped separately may be separately analyzed under domestic preference requirements.

### Certifications and Approvals:

- FCC Part 15