

LightSync Digital

Wall Sensor



## Overview

The LightSync Digital Wall Sensor is a combination dual-tech occupancy sensor and switch station in a single device, featuring infrared and overlapping acoustic sensing. This sensor allows for all-digital, all-CAT5 lighting controls topologies when paired with ILC LightLEEDer EVOs and panels. Configured over the LightSync digital bus for easy set-up and adjustment, it contains the newest digital components and, supports occupancy and vacancy modes in a single device.

Selectable dual-tech or PIR-only modes, timeouts, and sensitivities allow adjustments for superior performance in any space. The LSWS matches ILC's LSG3 family of digital switches, is available in the same 6 colors and 12 button configurations supporting: Multi-Zone Dimming, Scene control, combination Scene/Multi-Zone and Non-Dim functionality.



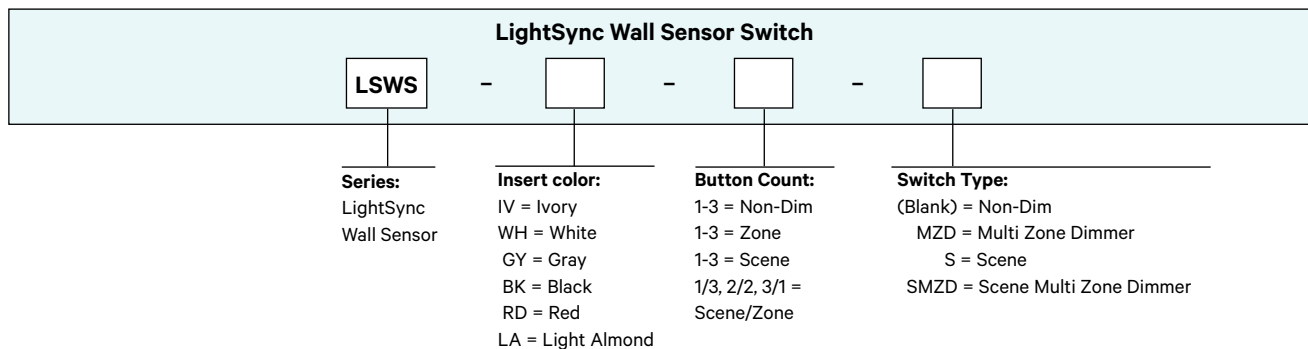
## Features

- **Made in the USA, meets BABA Requirements**
- **Dual Tech** PIR and acoustic sensor
- Automatic Threshold Control that filters background noise to fine tune acoustic sensitivity
- **CAT-5/6** ready LightSync Digital device
- PIR Trigger with acoustic for extending the On-command state
- **Field Configurable** between multi-zone switches, scene switches and non-dim switches
- **1 to 3 Button** zone control configurations
- Multi-Zone Dimming for up to 3 zones and All-Off
- **Scene Station** with dimming for up to 3 scenes and All-Off
- **Scene Multi-Zone** with dimming combo for up to 3 Scene or Zones (1S/3Z, 2S/2Z, 3S/1Z) option
- **Scene Capture** operation for all stations with scene buttons
- **Raise and Lower Buttons** for ramp up and ramp down feature
- **Press and Hold** dimming operation
- **Status LEDs** indicate true state of relay, group, last scene or preset
- **Laser Engraving** is provided, and custom engraving is available, Black and Red buttons are pad-printed
- **Color Change Kit** available for White, Ivory, Gray, Red, Light Almond and Black
- **Addressable** rotary switches
- **Decora®** style single gang switch plate available upon request

## Warranty

Five-Year limited warranty

## Ordering

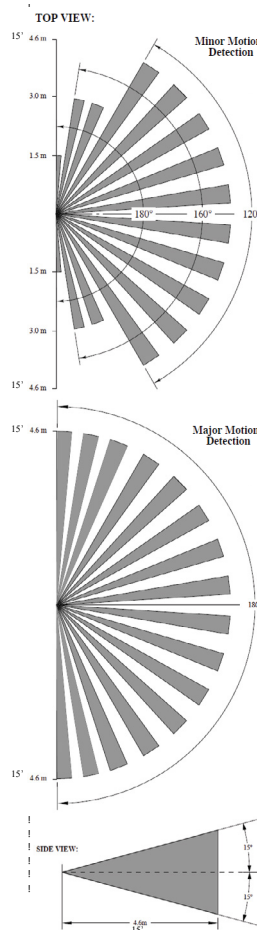
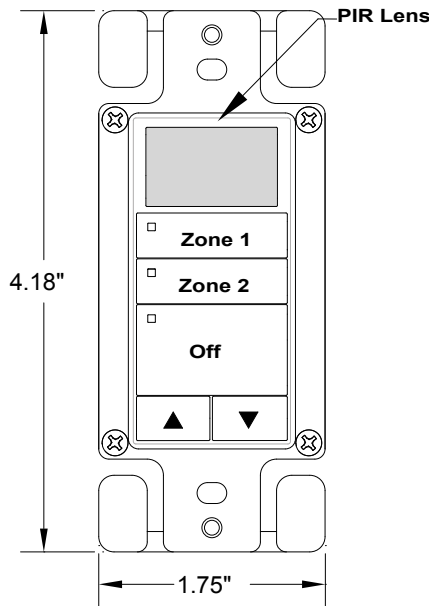


All ILC product configurations are built to be compliant with the Buy American Act of 1933 (BAA) or the Buy America Build America Act (BABA). BABA is the minimum Government compliance requirement for the Buy America Build America standards which is part of the Infrastructure and Investment Jobs Act (IIJA). Individual Government Agencies may have more stringent compliance standards. Please refer to the [DOMESTIC PREFERENCES](#) website or consult the CLS Domestic Preferences team for more information. Components shipped separately may be separately analyzed under domestic preference requirements.

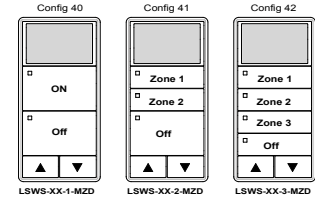
LightSync Digital

Wall Sensor

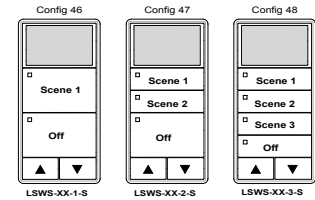
Physical



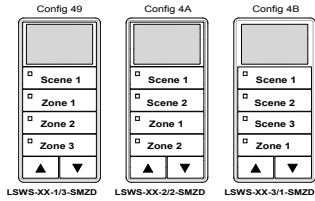
LSWS MZD Switch



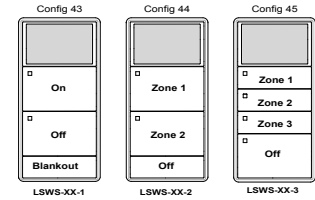
LSWS Scene Switch



LSWS Scene/MZD Switch



LSWS Non-Dim Stations



Specifications

Physical:

- 1.75" W x 4.18" H x 0.875"D
- Recommended for single-gang switch box mounting only (Not compatible with multi-gang, round-cornered mud rings)
- Digital addressing switches
- RJ45 connectors provided for easy connection
- Mounting screws provided
- Laser engraving standard as shown Black and Red buttons are pad-printed
- Custom engraving available

Operation:

- Selectable PIR or Dual-Tech operation
- Time delay set form LightLEEDer panel
- An initial PIR event is required to enable acoustic function that then extends the time delay when triggered
- Automatic gain control filters noise
- Up to 15 feet detection for minor and major motion

Electrical:

- Powered from the panel or LightSync network

Operating Environment:

- Location: Interior space
- Operating Temp.: 0° to 50° C
- Humidity: 10% - 90% Non-condensing
- Atmosphere: Non-explosive/corrosive
- Vibration: Stationary

Domestic Preferences:

Domestic preference options to meet BAA or BABA requirements. BABA is the minimum Government compliance requirement for the Buy America Build America standards which is part of the Infrastructure and Investment Jobs Act (IIJA). Individual Government Agencies may have more stringent compliance standards. Please refer to the DOMESTIC PREFERENCES website or consult the CLS Domestic Preferences team for more information. Components shipped separately may be separately analyzed under domestic preference requirements.

Certifications and Approvals:

- FCC Part 15

See Technical Bulletin TB0620 for switch plate compatibility.